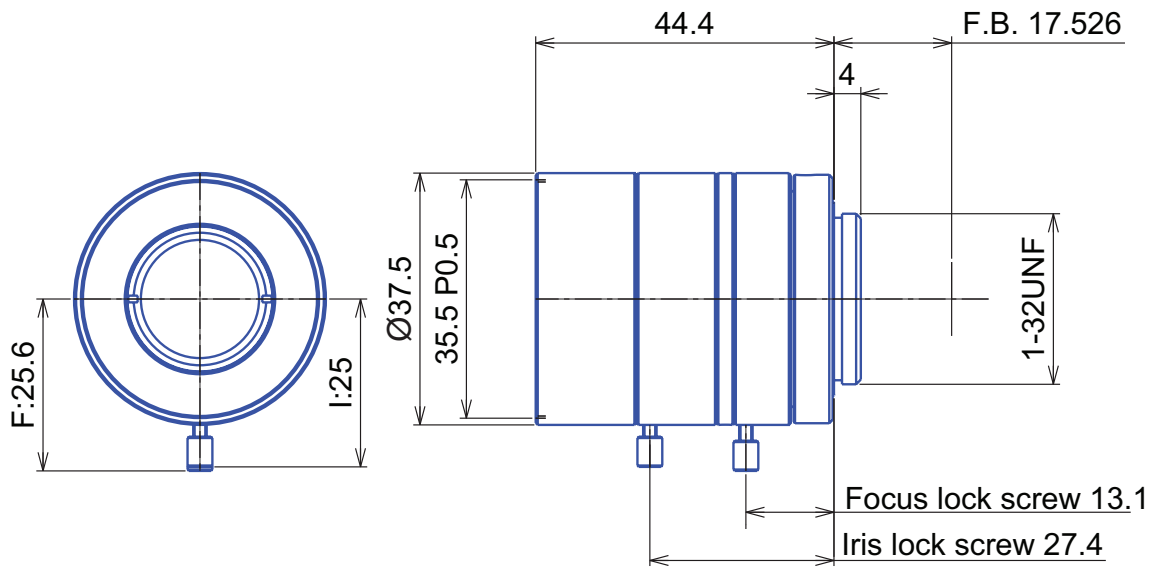


3 MP 2/3" Fixed-Focal

GMXHR32514MCN



Part No.	GMXHR32514MCN
Focal Length	25mm
Iris Range	f/1.4-22
Lens Format	2/3"
Resolution	140 lp/mm
MOD	200mm
Mount	C
Filter Thread	M35.5xP0.5
Angle of View (HxVxD) 2/3"	20° x 15° x 24.8°
Weight	110g
Dimension (DxL)	Ø37.5 x 44.5



945 East 11th Avenue Tampa, FL 33605

Phone: (813) 984-0125

Contact: Sales@pyramidimaging.com

<https://pyramidimaging.com>