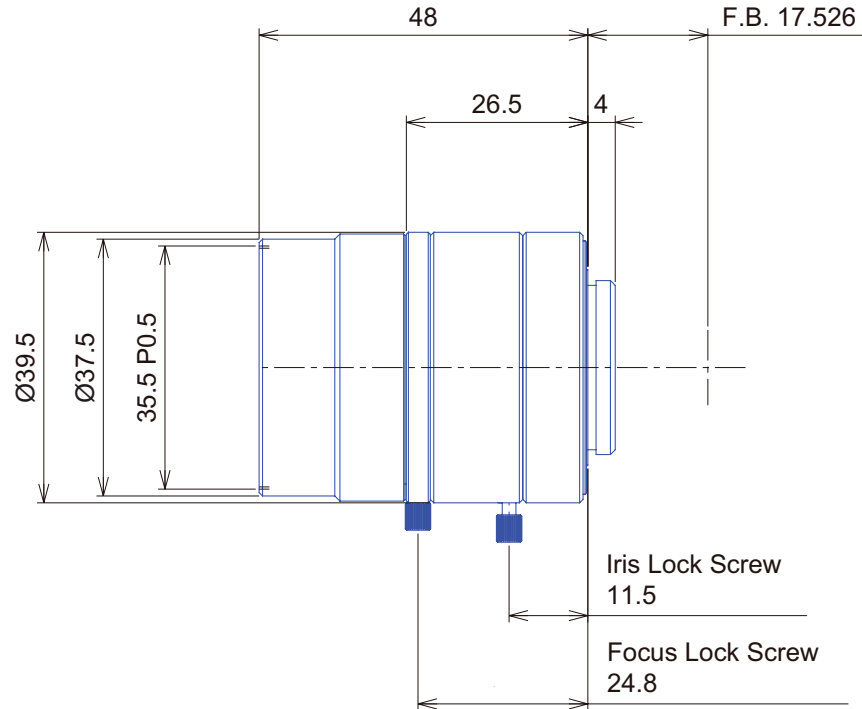


3 MP 2/3" Fixed-Focal

# GMXHR33514MCN-1



Part No.	GMXHR33514MCN-1
Focal Length	35mm
Iris Range	f/1.4-22
Lens Format	2/3"
Resolution	140 lp/mm
MOD	250mm
Mount	C
Filter Thread	M35.5xP0.5
Angle of View (HxVxD) 2/3"	14.3° x 10.8° x 17.8°
Weight	145g
Dimension (DxL)	Ø37.5 x 56.5



945 East 11<sup>th</sup> Avenue Tampa, FL 33605

Phone: (813) 984-0125

Contact: Sales@pyramidimaging.com

<https://pyramidimaging.com>