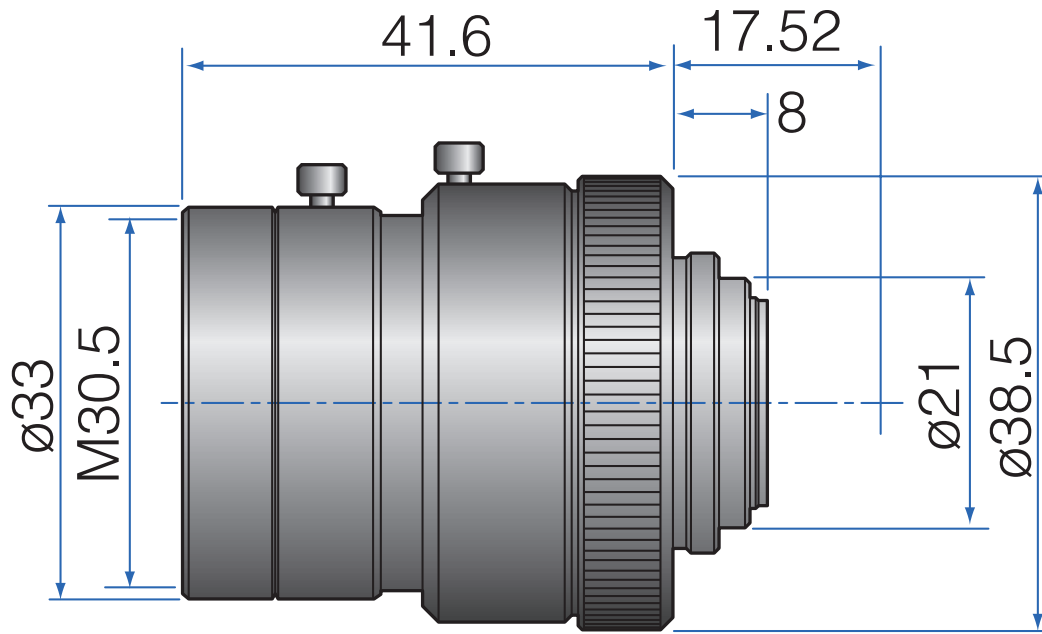


5 MP 2/3" Fixed-Focal

# GMB5HR38014MCN



Part No.	GMB5HR38014MCN
Focal Length	8mm
Iris Range	f/1.4-Close
Lens Format	2/3"
Resolution	160 lp/mm
MOD	100mm
Mount	C
Filter Thread	M30.5xP0.5
Angle of View (HxVxD) 2/3"	56°5' x 43°9' x 67°0'
Weight	105g
Dimension (DxL)	Ø38.5 x 41.6



945 East 11<sup>th</sup> Avenue Tampa, FL 33605

Phone: (813) 984-0125

Contact: Sales@ pyramidimaging.com

<https://pyramidimaging.com>