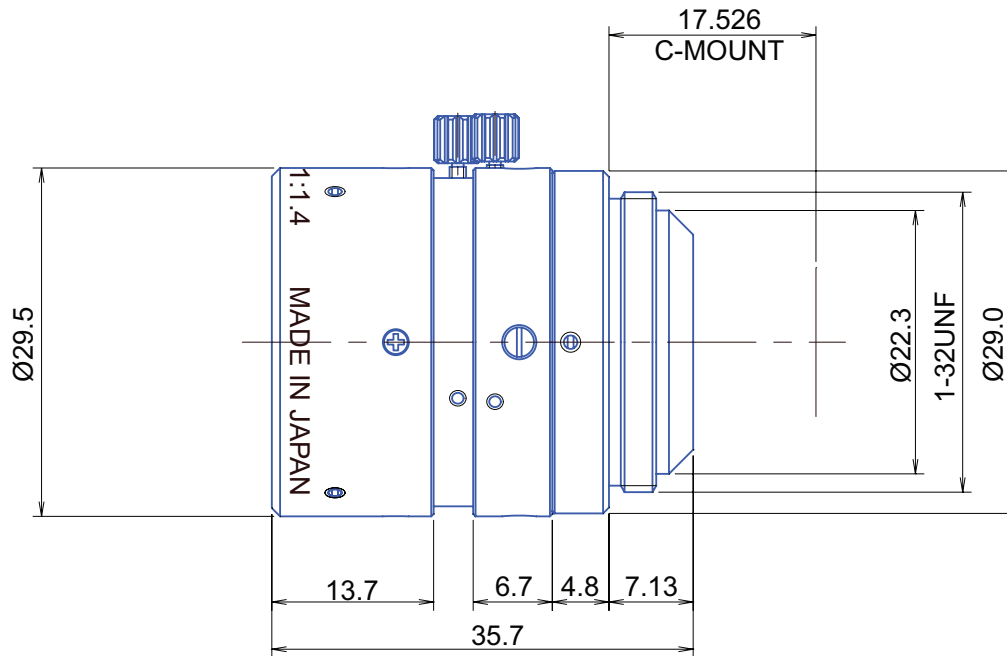


5 MP 1/1.8" Fixed-Focal

GMR5HR181214MCN



Part No.	GMR5HR181214MCN
Focal Length	12mm
Iris Range	f/1.4-22
Lens Format	1/1.8"
Resolution	160 lp/mm
MOD	200mm
Mount	C
Filter Thread	M27.0 x P0.5
Angle of View (HxVxD) 1/1.8"	32°38' x 24°58' x 39°79'
Weight	57g
Dimension (DxL)	$\varnothing 29.5$ x 35.7



945 East 11th Avenue Tampa, FL 33605

Phone: (813) 984-0125

Contact: Sales@pyramidimaging.com

<https://pyramidimaging.com>