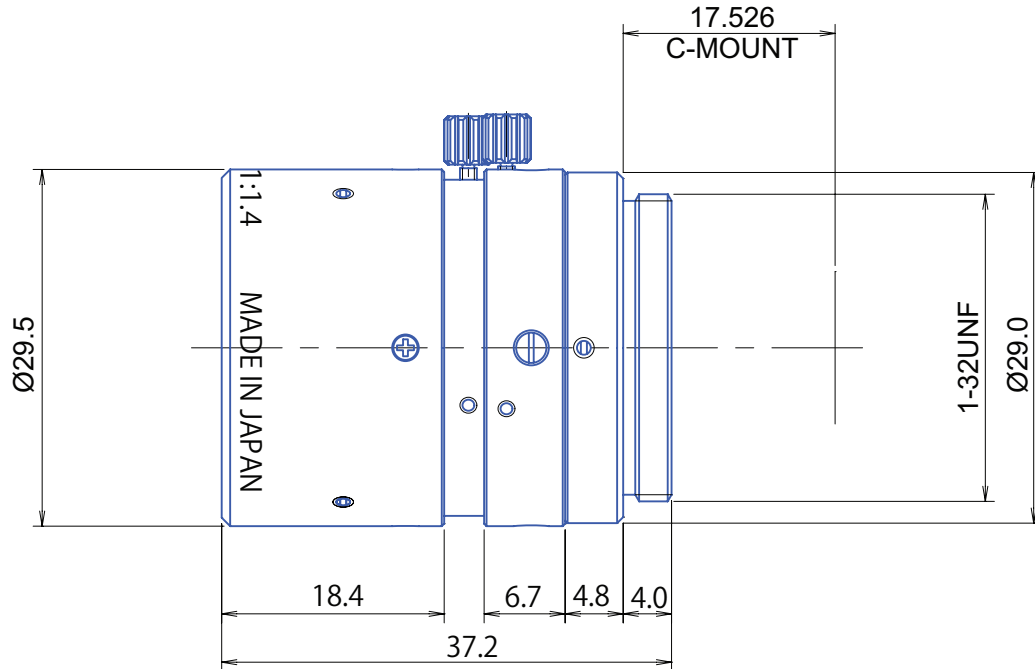


5 MP 2/3" Fixed-Focal

GMR5HR31614MCN



Part No.	GMR5HR31614MCN
Focal Length	16mm
Iris Range	f/1.4-16
Lens Format	2/3"
Resolution	160 lp/mm
MOD	250mm
Mount	C
Filter Thread	M27.0 x P0.5
Angle of View (HxVxD) 2/3"	30°99' x 23°43' x 38°29'
Weight	64g
Dimension (DxL)	Ø29.5 x 37.2



945 East 11th Avenue Tampa, FL 33605

Phone: (813) 984-0125

Contact: Sales@pyramidimaging.com

<https://pyramidimaging.com>