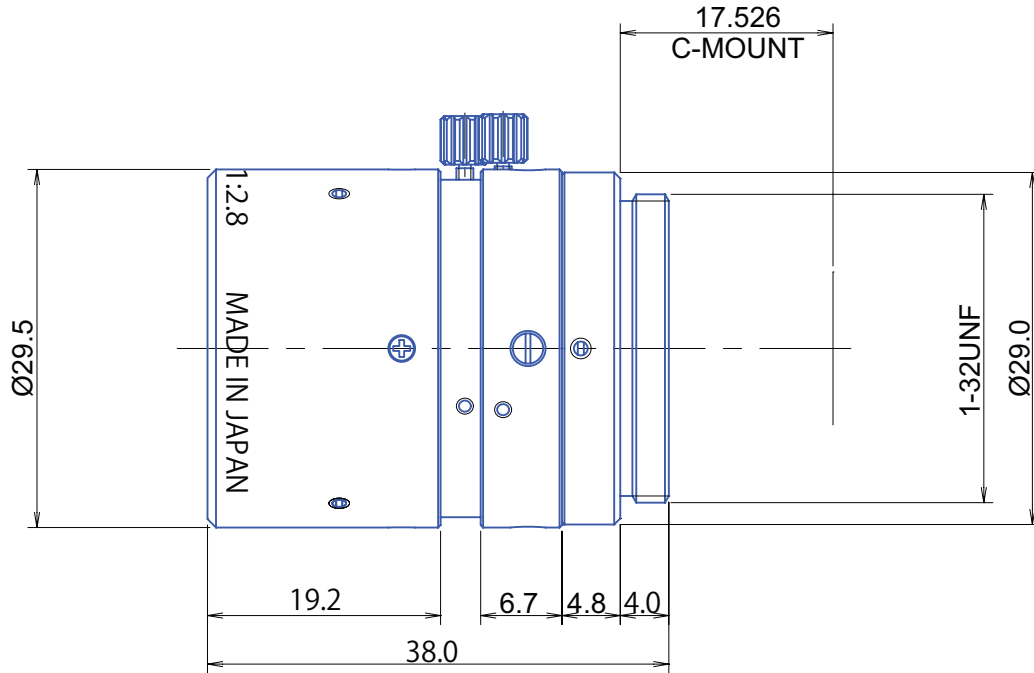


5 MP 2/3" Fixed-Focal

GMR5HR35028MCN



Part No.	GMR5HR35028MCN
Focal Length	50mm
Iris Range	f/2.8-22
Lens Format	2/3"
Resolution	160 lp/mm
MOD	800mm
Mount	C
Filter Thread	M27 x P0.5
Angle of View (HxVxD) 2/3"	10°03' x 7°54' x 12°52'
Weight	55g
Dimension (DxL)	$\text{Ø}29.5 \times 38$



945 East 11th Avenue Tampa, FL 33605

Phone: (813) 984-0125

Contact: Sales@pyramidimaging.com

<https://pyramidimaging.com>