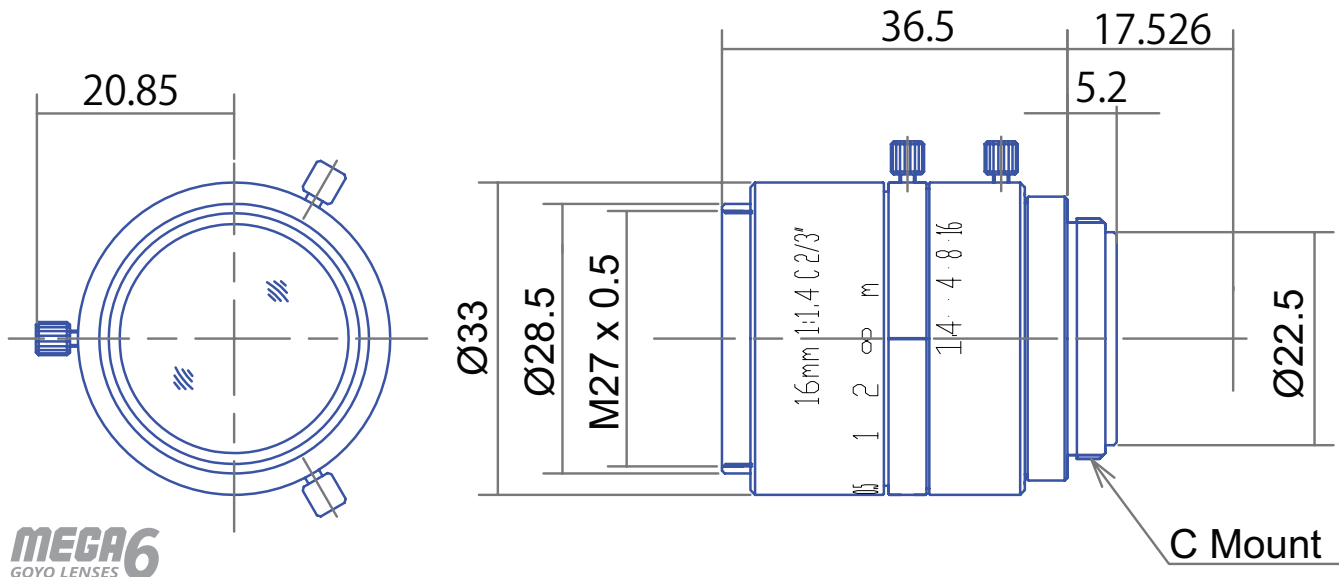


6 MP 2/3" Fixed-Focal

GM6HR31614MCN



Part No.	GM6HR31614MCN
Focal Length	16mm
Iris Range	f/1.4-16
Lens Format	2/3"
Resolution	170 lp/mm
MOD	200mm
Mount	C
Filter Thread	M27 x P0.5
Angle of View (HxVxD) 2/3"	30.3° x 16.05° x 37.33°
Dimension (DxL)	Ø33 x 36.5



945 East 11th Avenue Tampa, FL 33605

Phone: (813) 984-0125

Contact: Sales@pyramidimaging.com

<https://pyramidimaging.com>