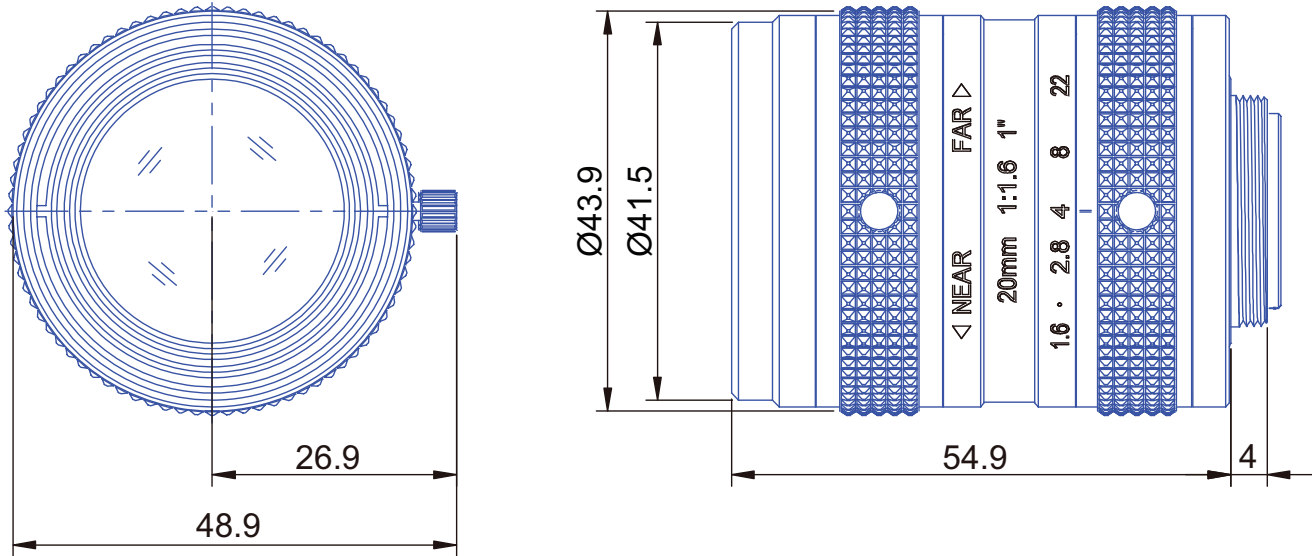


GM12HR42016MCN



Part No.	GM12HR42016MCN
Focal Length	20mm
Iris Range	f/1.6-22
Lens Format	1"
Resolution	260 lp/mm
MOD	450mm
Mount	C
Filter Thread	M39 x P0.5
Angle of View (HxV) 1"	36°1' x 27°2'
Weight	165g
Dimension (DxL)	Ø43 x 55



945 East 11th Avenue Tampa, FL 33605

Phone: (813) 984-0125

Contact: Sales@pyramidimaging.com

<https://pyramidimaging.com>