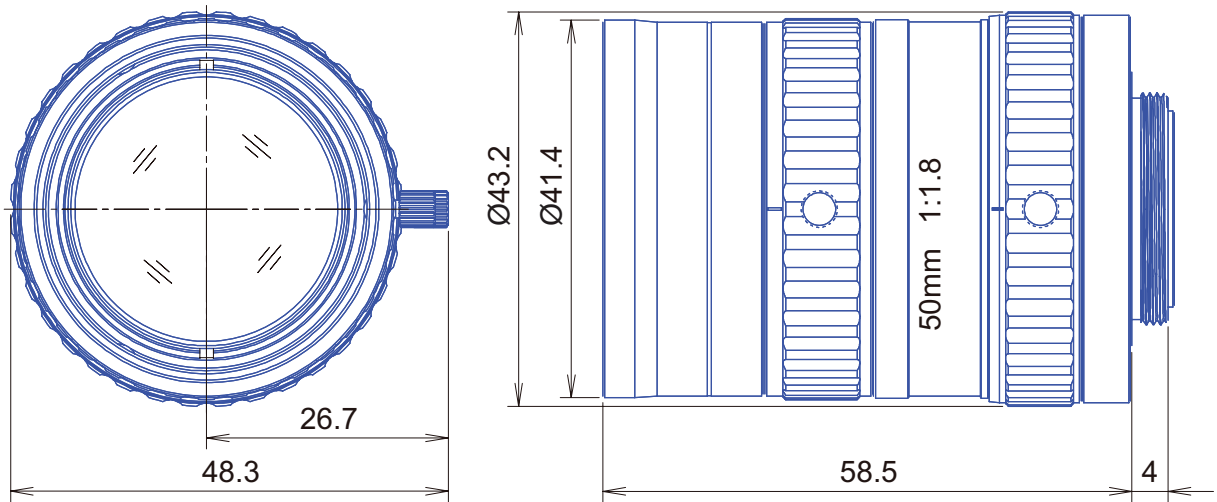


12 MP 2/3" Fixed-Focal  
**GM12HR35018MCN**



Part No.	GM12HR35018MCN
Focal Length	50mm
Iris Range	f/1.8-22
Lens Format	2/3"
Resolution	260 lp/mm
MOD	400mm
Mount	C
Filter Thread	M37.5xP0.5
Angle of View (HxVxD) 2/3"	10°1' x 7°6' x 12°6'
Weight	173g
Dimension (DxL)	Ø43.2 x 58.5



945 East 11<sup>th</sup> Avenue Tampa, FL 33605

Phone: (813) 984-0125

Contact: Sales@pyramidimaging.com

<https://pyramidimaging.com>