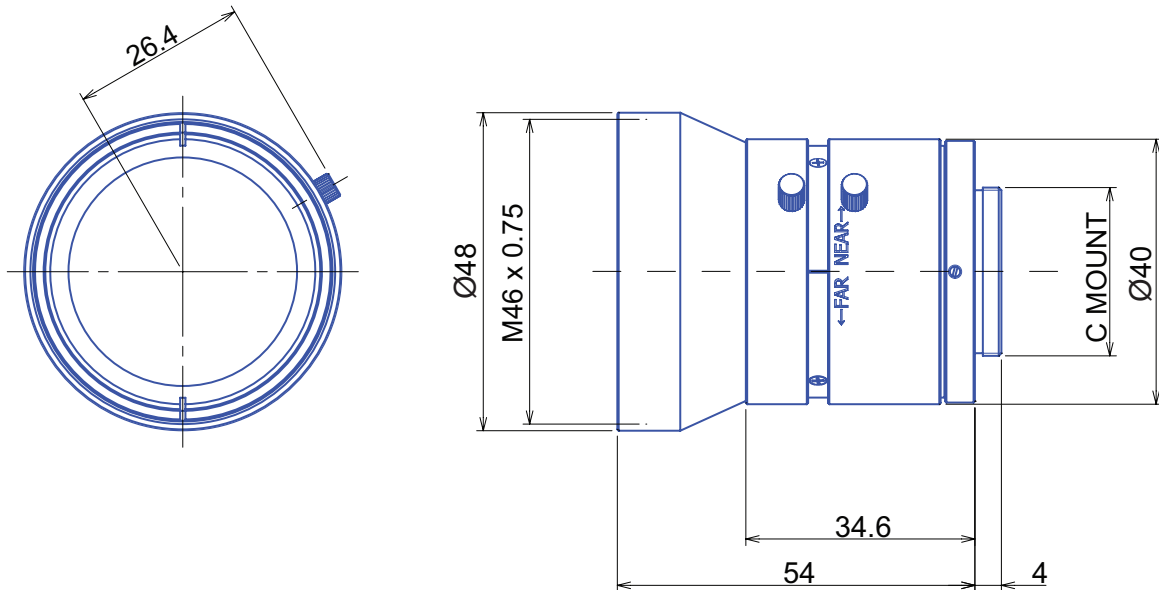


12 MP 2/3" Fixed-Focal

## GM12HR39014MCN



Part No.	GM12HR39014MCN
Focal Length	9mm
Iris Range	f/1.4-Close
Lens Format	2/3"
Resolution	260 lp/mm
MOD	100mm
Mount	C
Filter Thread	M46 x P0.75
Angle of View (HxV) 1/2"	38°2' x 29°1'
Angle of View (HxV) 2/3"	50°8' x 39°3'
Weight	160g
Dimension (DxL)	Ø48 x 54



945 East 11<sup>th</sup> Avenue Tampa, FL 33605

Phone: (813) 984-0125

Contact: Sales@pyramidimaging.com

<https://pyramidimaging.com>