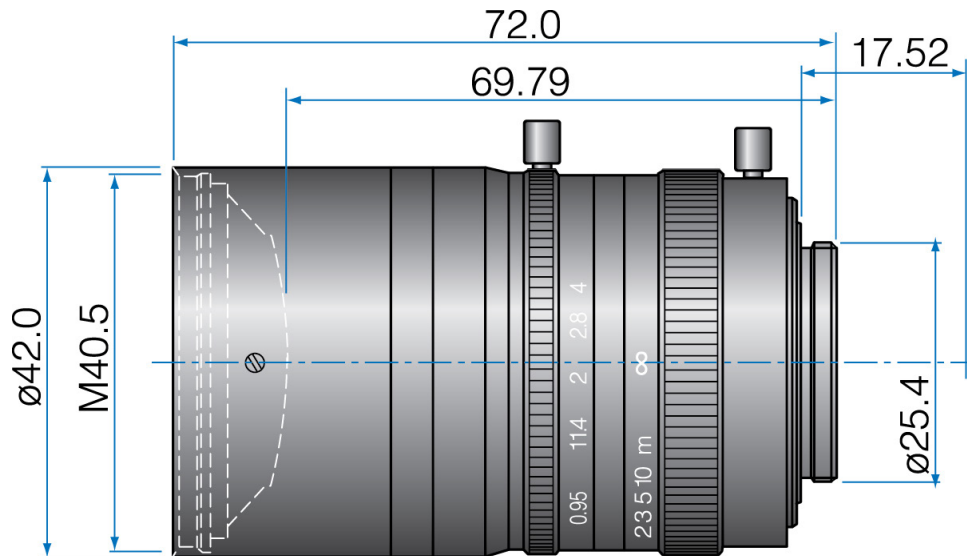


High Speed 2/3" Fixed-Focal

## GMY31795MCN



Part No.	GMY31795MCN
Focal Length	17mm
Iris Range	f/0.95-16
Lens Format	2/3"
Resolution	100 lp/mm
MOD	420mm
Mount	C
Filter Thread	M40.5xP0.5
Angle of View (HxVxD) 2/3"	30 x 22 x 38
Weight	165g
Dimension (DxL)	Ø42 x 67



945 East 11<sup>th</sup> Avenue Tampa, FL 33605

Phone: (813) 984-0125

Contact: Sales@pyramidimaging.com

<https://pyramidimaging.com>