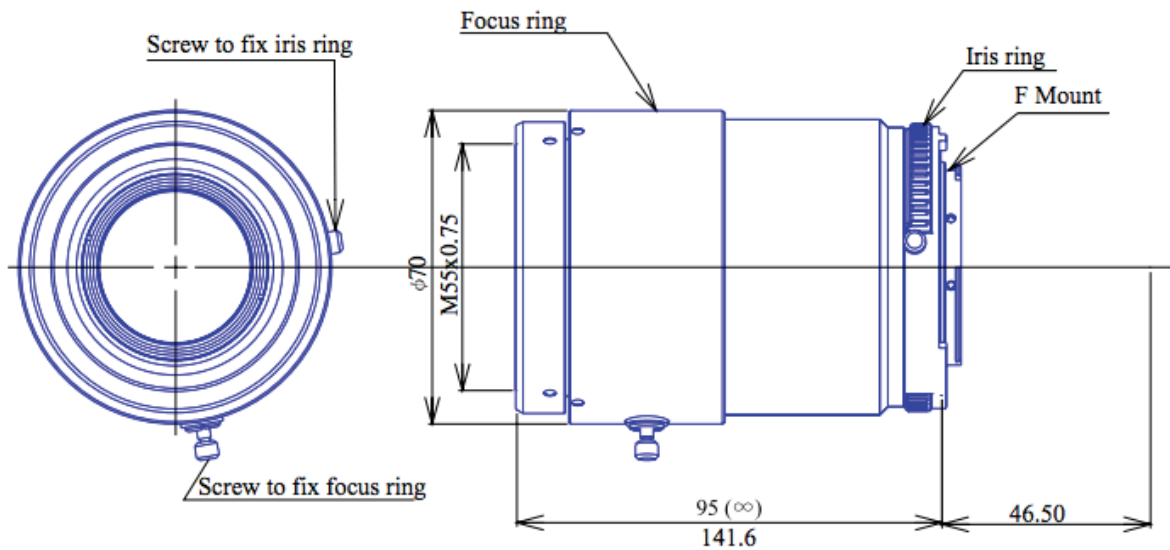


Line Scan Fixed-Focal  
**GLS10028F**



Part No.	GLS10028F
Focal Length	100mm
Iris Range	f/2.8-32
Image Circle	43mm
MOD	300mm
Mount	F
Filter Thread	M55 x P0.75



945 East 11<sup>th</sup> Avenue Tampa, FL 33605

Phone: (813) 984-0125

Contact: Sales@pyramidimaging.com

<https://pyramidimaging.com>