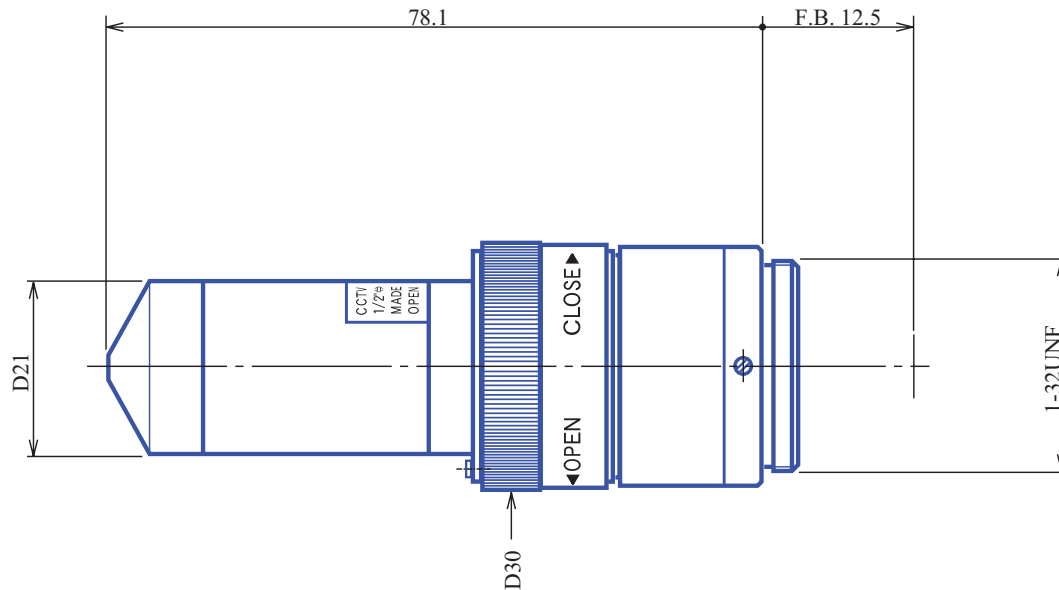


Pinhole 1/3" Fixed-Focal
GMPM13824S



Part No.	GMPM13824S
Focal Length	3.8mm
Iris Range	f/2.4-Close
Lens Format	1/3"
MOD	1000mm
Mount	CS
Filter Thread	S21
Angle of View (HxV) 1/3"	53.5° x 43.1°
Weight	80g
Dimension (DxL)	Ø30 x 78.1



945 East 11th Avenue Tampa, FL 33605

Phone: (813) 984-0125

Contact: Sales@pyramidimaging.com

<https://pyramidimaging.com>