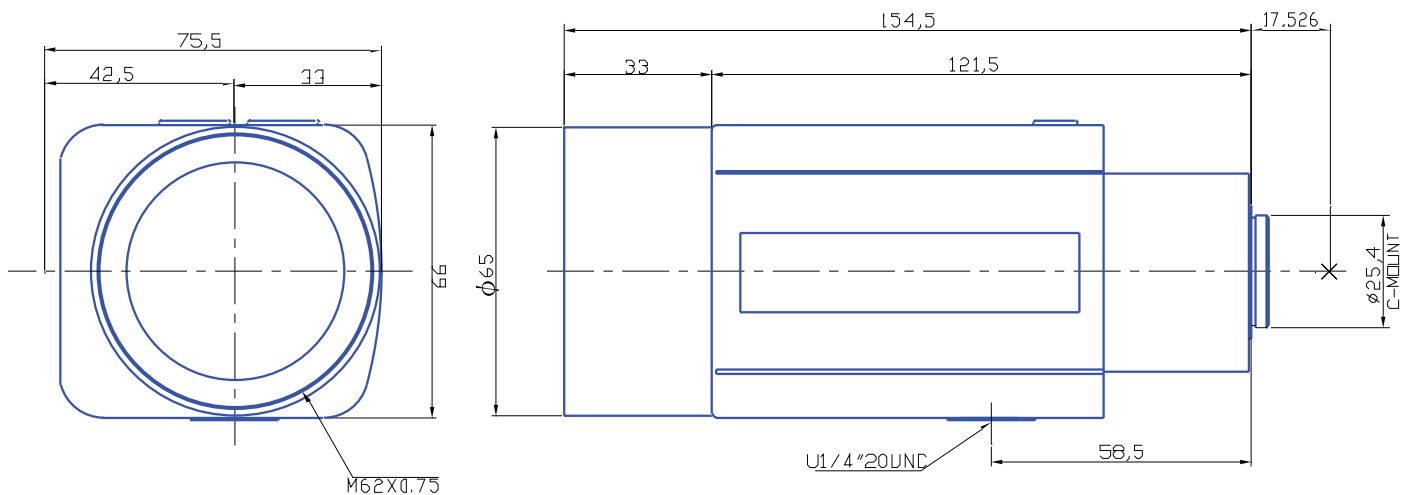


Motorized Zoom 1/2" Varifocal
GAZ15300



Part No.	GAZ15300
Focal Length	15-300mm
Iris Range	f/3.6-360
Lens Format	1/2"
MOD	2500mm
Mount	C
Filter Thread	M62xP0.75
Angle of View (HxV) 1/2"	23.6° x 17.9° - 1.2° x 0.9°
Weight	880g
Dimension (WxHxL)	Ø66 x 76 x 155



945 East 11th Avenue Tampa, FL 33605

Phone: (813) 984-0125

Contact: Sales@pyramidimaging.com

<https://pyramidimaging.com>