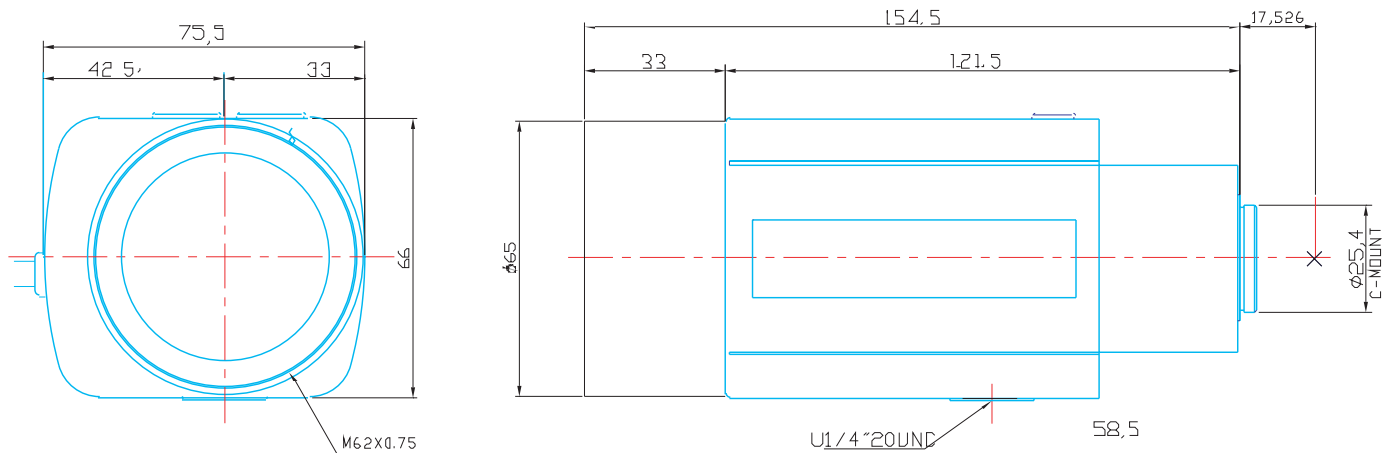


Motorized Zoom 1/2" Varifocal
GAZDN85850



Part No.	GAZDN85850
Focal Length	8.5-85mm
Iris Range	f/1.5-360
Lens Format	1/2"
MOD	1500mm
Mount	C
Filter Thread	M62xP0.75
Angle of View (HxV) 1/2"	41.5° x 31.3° - 4.3° x 3.2°
Weight	850g
Dimension (WxHxL)	Ø76 x 66 x 135



945 East 11th Avenue Tampa, FL 33605

Phone: (813) 984-0125

Contact: Sales@ pyramidimaging.com

<https://pyramidimaging.com>