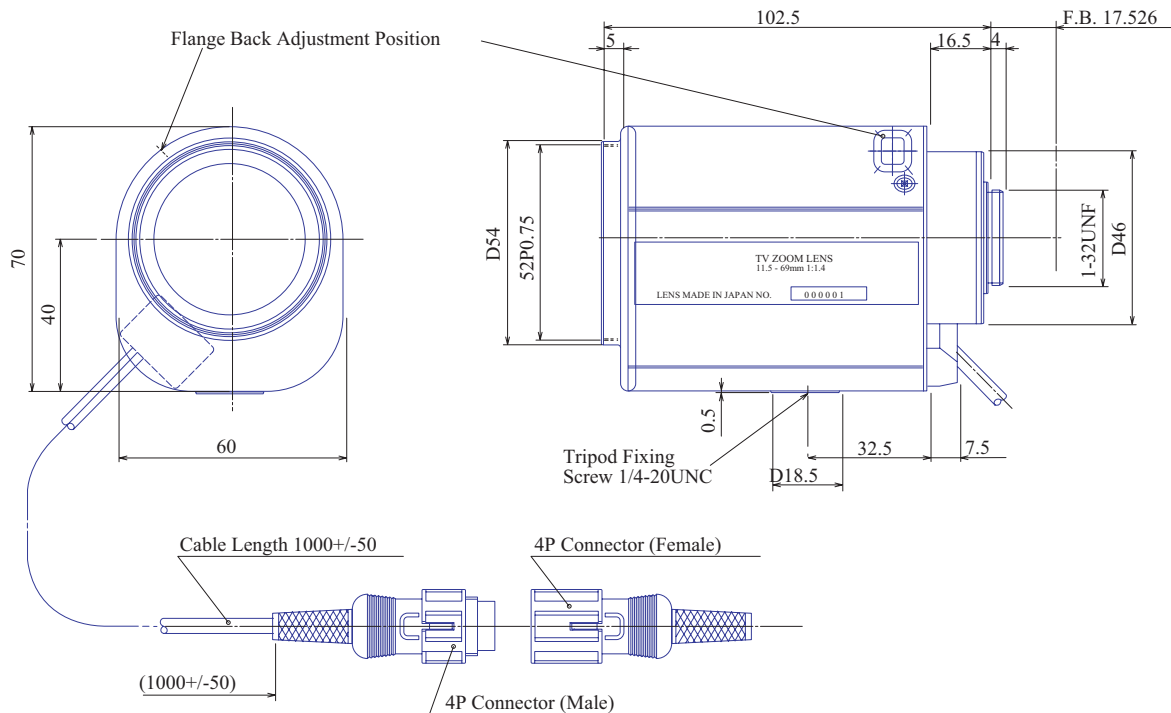


## 3 Motorized Zoom 2/3" Varifocal GAZ11569M



Part No.	GAZ11569M
Focal Length	11.5-69mm
Iris Range	f/1.4-Close
Lens Format	2/3"
MOD	450mm
Mount	C
Filter Thread	M52 x P0.75
Angle of View (HxV) 2/3"	41.9° x 32.0° - 7.3° x 5.5°
Weight	500g
Dimension (WxHxL)	Ø70 x 60 x 105



945 East 11<sup>th</sup> Avenue Tampa, FL 33605

Phone: (813) 984-0125

Contact: Sales@ pyramidimaging.com

<https://pyramidimaging.com>