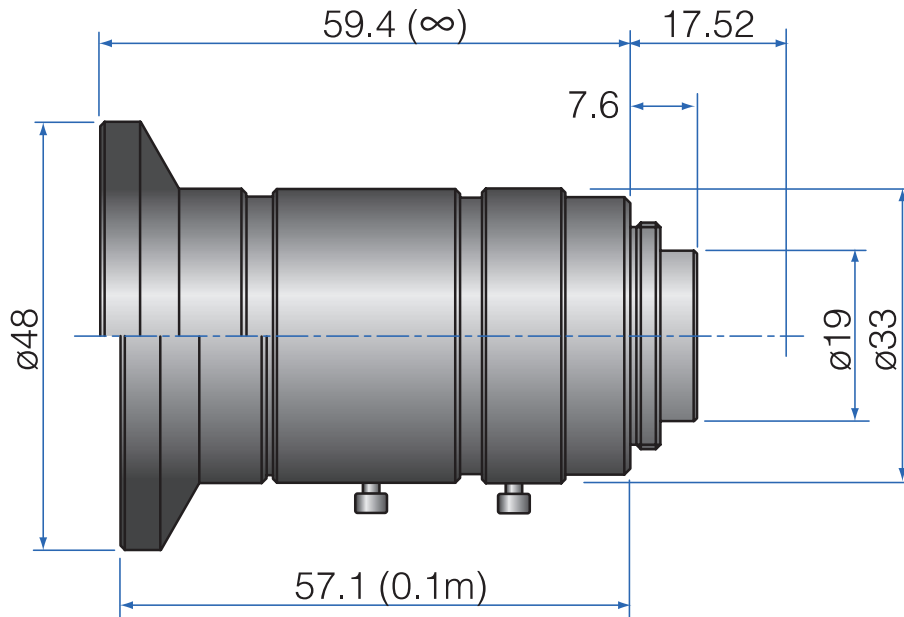


10 MP 2/3" Fixed-Focal

GM10HR30518MCN



Part No.	GM10HR30518MCN
Focal Length	5mm
Iris Range	f/1.8-16
Lens Format	2/3"
Resolution	200 lp/mm
MOD	100mm
Mount	C
Filter Thread	M46 x P0.75
Angle of View (HxVxD) 2/3"	82°2' x 66°5' x 95°4'
Weight	120g
Dimension (DxL)	∅48 x 59.4



945 East 11th Avenue Tampa, FL 33605

Phone: (813) 984-0125

Contact: Sales@ pyramidimaging.com

<https://pyramidimaging.com>