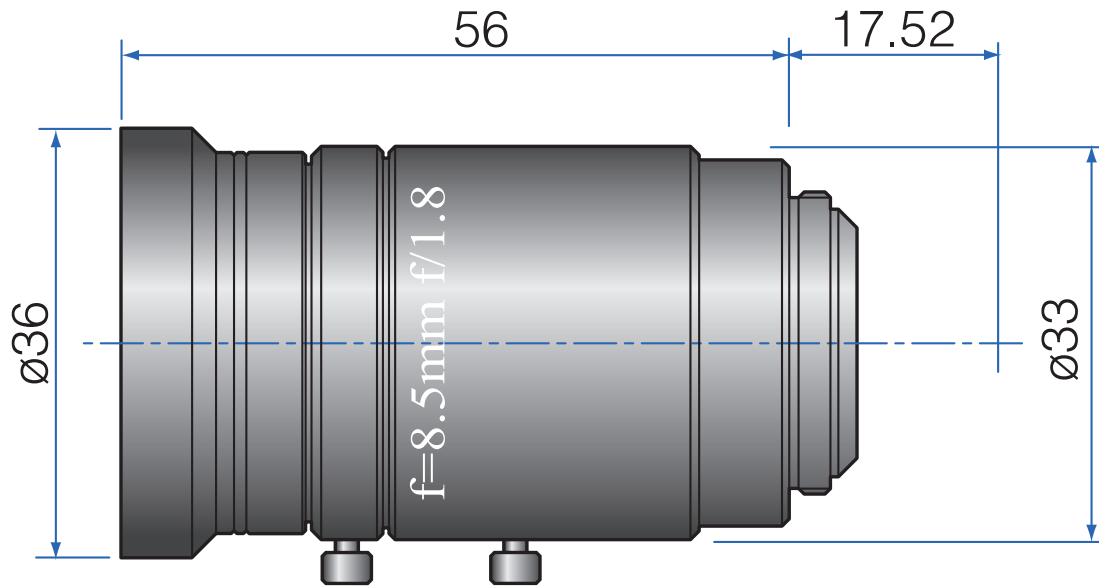


10 MP 2/3" Fixed-Focal

GM10HR38518MCN



Part No.	GM10HR38518MCN
Focal Length	8.5mm
Iris Range	f/1.8-22
Lens Format	2/3"
Resolution	200 lp/mm
MOD	100mm
Mount	C
Filter Thread	M34 x P0.5
Angle of View (HxVxD) 2/3"	54°0' x 41°9' x 64°6'
Weight	115g
Dimension (DxL)	Ø36 x 56