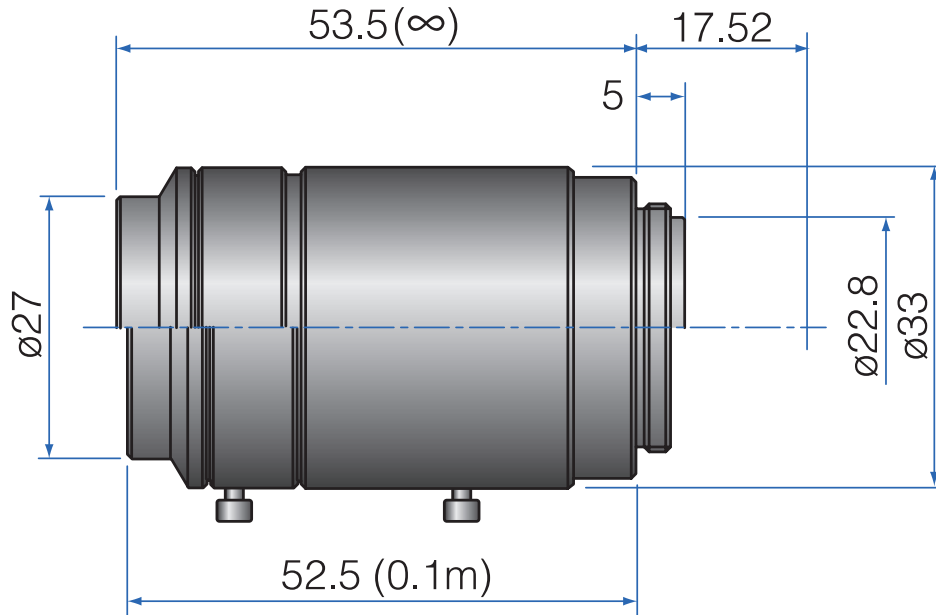


10 MP 2/3" Fixed-Focal

# GM10HR31218MCN



Part No.	GM10HR31218MCN
Focal Length	12mm
Iris Range	f/1.8-11
Lens Format	2/3"
Resolution	200 lp/mm
MOD	100mm
Mount	C
Filter Thread	M25.5xP0.5
Angle of View (HxVxD) 2/3"	39°1' x 29°8' x 47°8'
Weight	105g
Dimension (DxL)	$\varnothing 33 \times 53.5$



945 East 11<sup>th</sup> Avenue Tampa, FL 33605

Phone: (813) 984-0125

Contact: Sales@pyramidimaging.com

<https://pyramidimaging.com>