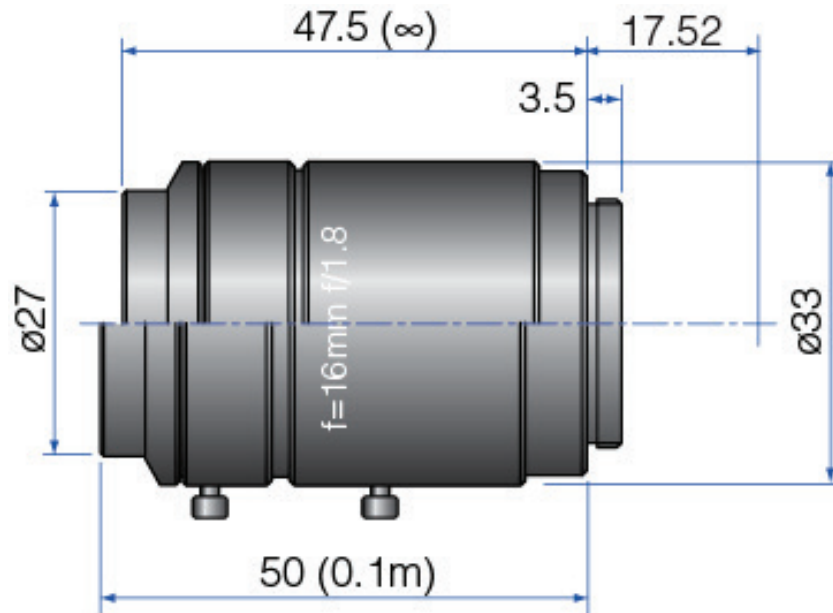


10 MP 2/3" Fixed-Focal

GM10HR31618MCN



Part No.	GM10HR31618MCN
Focal Length	16mm
Iris Range	f/1.8-16
Lens Format	2/3"
Resolution	200 lp/mm
MOD	100mm
Mount	C
Filter Thread	M25.5xP0.5
Angle of View (HxVxD) 2/3"	30°0' x 22°7' x 37°1'
Weight	90g
Dimension (DxL)	∅33 x 50



945 East 11th Avenue Tampa, FL 33605

Phone: (813) 984-0125

Contact: Sales@pyramidimaging.com

<https://pyramidimaging.com>