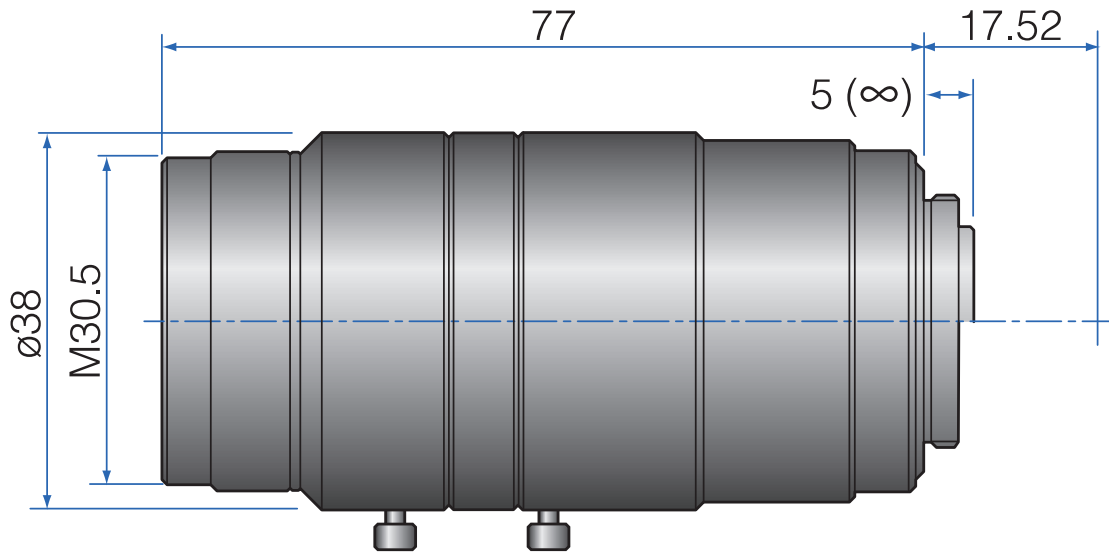


10 MP 2/3" Fixed-Focal

GM10HR35028MCN



Part No.	GM10HR35028MCN
Focal Length	50mm
Iris Range	f/2.8-16
Lens Format	2/3"
Resolution	200 lp/mm
MOD	100mm
Mount	C
Filter Thread	M30.5xP0.5
Angle of View (HxVxD) 2/3"	10°1' x 7°6' x 12°6'
Weight	170g
Dimension (DxL)	$\varnothing 38 \times 77$



945 East 11th Avenue Tampa, FL 33605

Phone: (813) 984-0125

Contact: Sales@pyramidimaging.com

<https://pyramidimaging.com>