

Steady State Control, 1Ch, 1/3A

The steady state control units are designed to control all types of LATAB light heads. The controller has a unique “long flash” feature which gives double light intensity at 50% duty time.

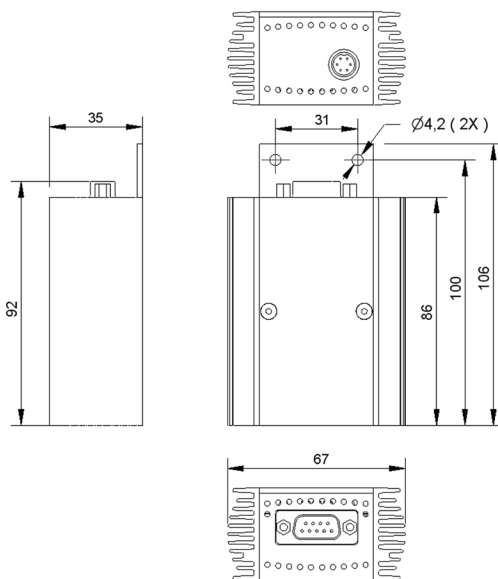
This control unit is designed for “P&P” (plug and play). Just connect the LATAB light head and the controller automatically identifies the light type with an electronic sensor.

Delivered at maximum light with possibility to decrease the light intensity by an internal trimmer.

Supplied with 5 meter power/Trigger cable.



Mechanical dimensions



Specifications

Supply voltage	24V DC \pm 10%, max 1A/2.5A
Power output	Max. 1A /3A
Light intensity	0-100% by internal trimmer
Long Flash Trigger	5-24V, optically isolated
Light intensity	0-100%, 200% max. 5 seconds
Operation temp.	0-65°C

Housed in black aluminium box.
CE approved and RoHS compliant.

Ordering information

Controller	Model
Steady state control, stand alone, 1A	PAD2 1135/1
Steady state control, stand alone, 3A	PAD2 1135/3

Option

DIN clips add "/D"