

Spot Light Ø 60 mm, Luxeon LED

Spot light with very high light intensity based on one Luxeon LED.

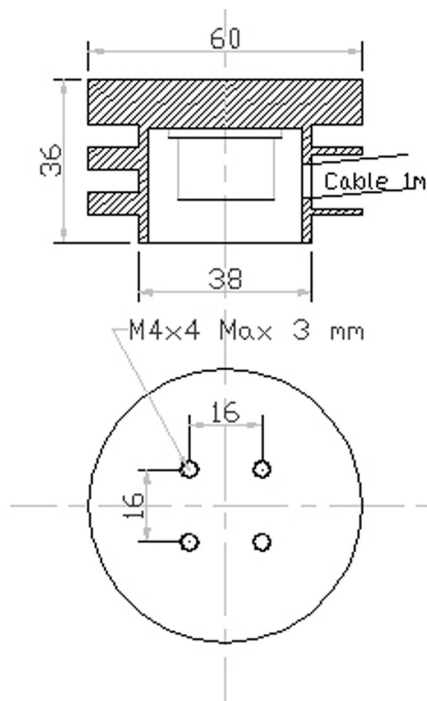
This spot light is housed in a black aluminium ring.

Recommendation:

Use either strobe or long flash without extended intensity.



Mechanical dimensions



Specifications

The spot light can be used either for steady state or strobe light together with LATAB control units. Supplied with 1 meter cable as standard, longer cable on demand, see section Options.

CE approved and RoHS compliant.

Ordering information

Color	Model	Controller*
Red 640 nm	FAD3 1051	1A/8A
Green 530 nm	FAG3 1051	1A/8A
Blue 470 nm	FAB3 1051	1A/8A
White	FTW3 1051	1A/8A

* Steady state / Strobe mode

Option

Diffusor, add "S" to the article number.

Customized cable length: e.g. add "2 m" to the article No.