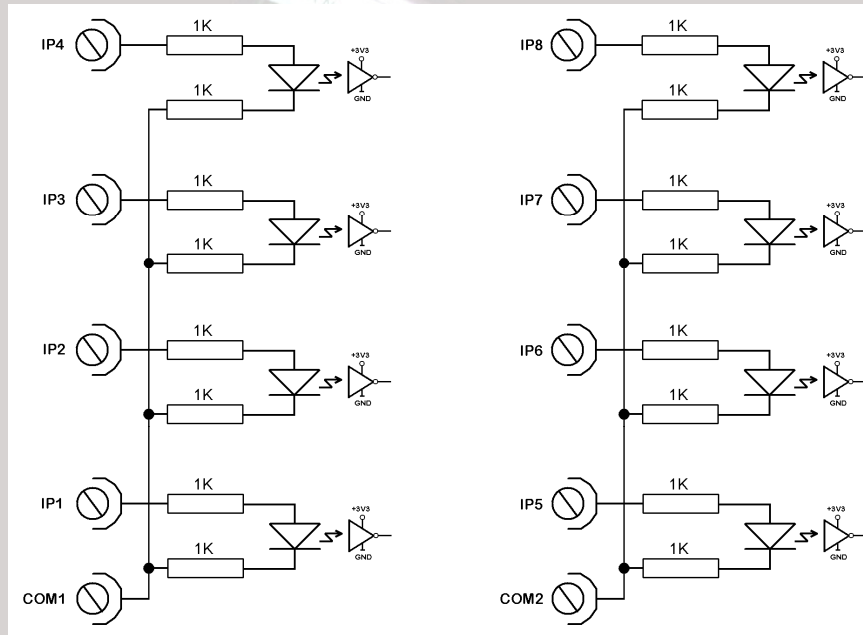


# APP940 – Connecting to the CC320

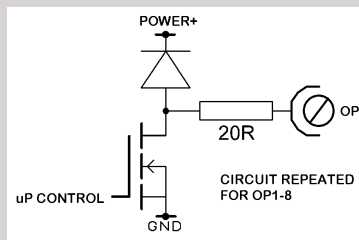
## Application note

This application note shows how different types of inputs and outputs can be connected to the CC320.

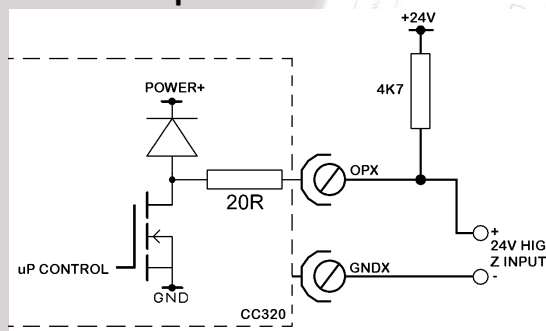
### CC320 Input Circuit



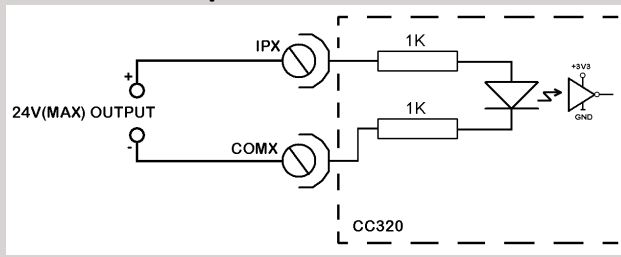
### CC320 Output Circuit



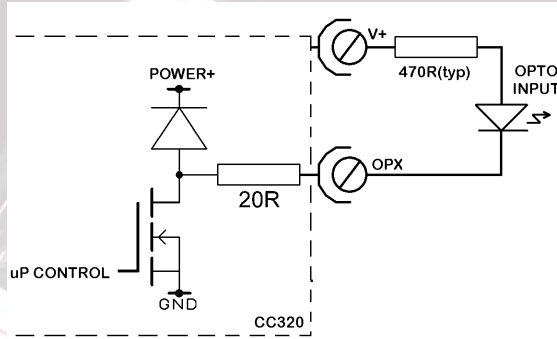
### Connecting a CC320 Output to a 24V Input



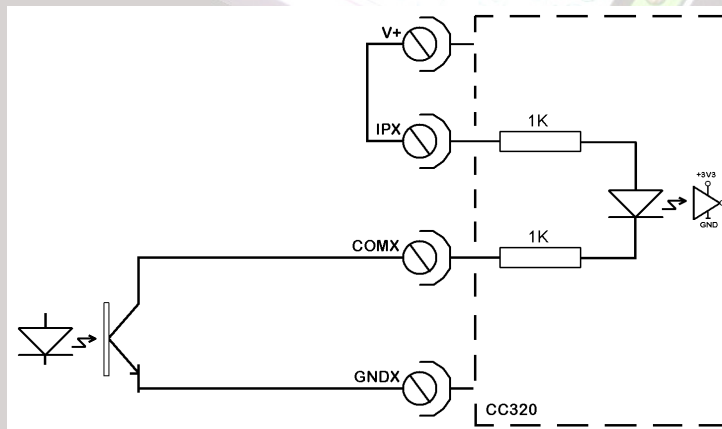
### Connecting a CC320 Input to a 24V Output



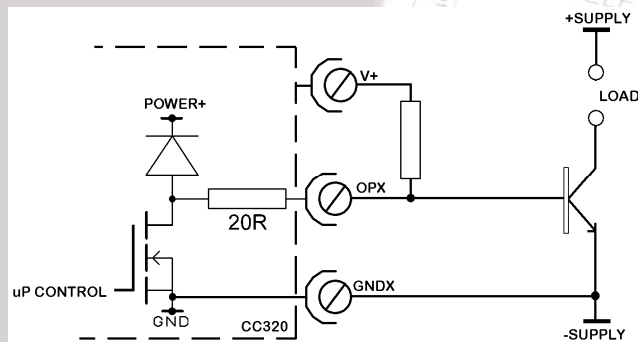
### Connecting a CC320 Output to an Opto Input



### Connecting a CC320 Input to an Opto Output

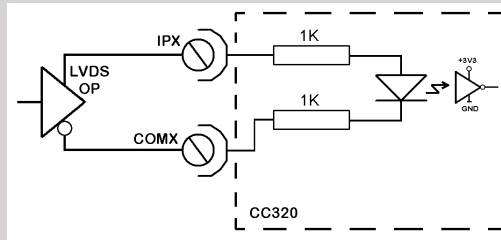


### Connecting a CC320 Output to an Open-Collector Input

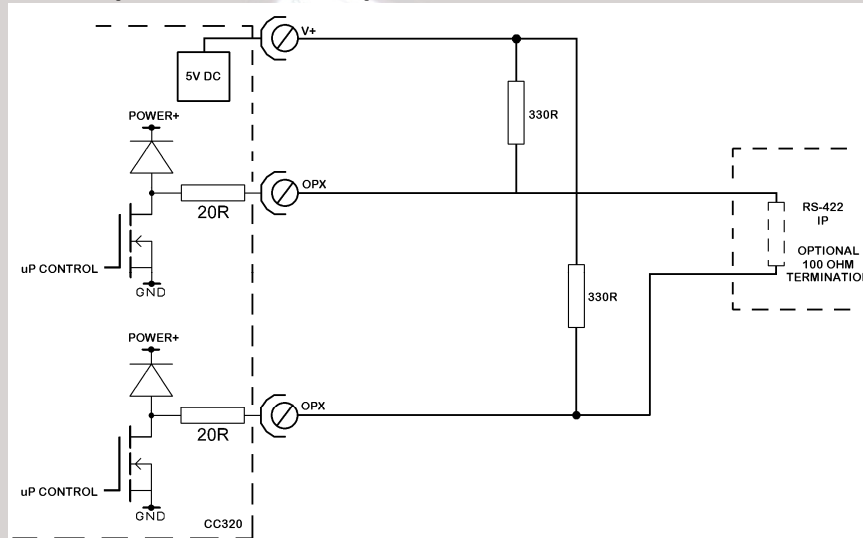




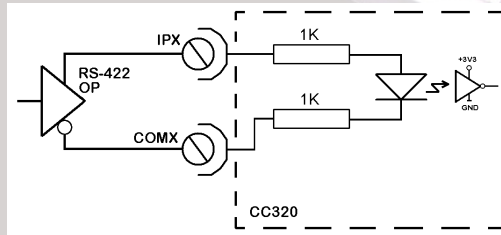
## Connecting a CC320 Input to a LVDS Output



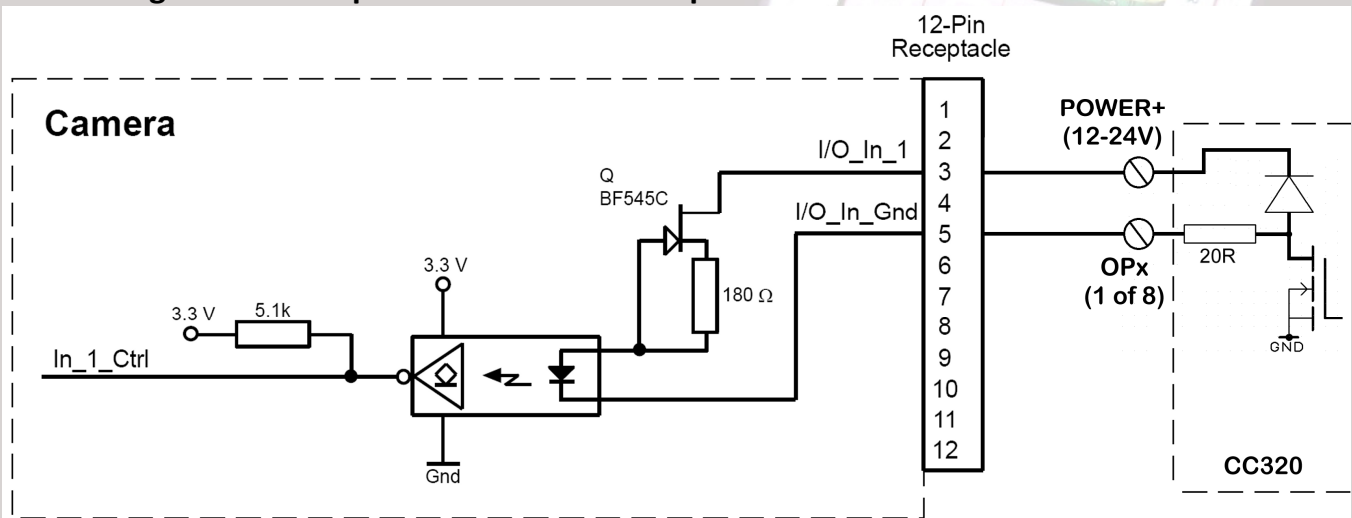
## Connecting a CC320 Output to a RS422 Input



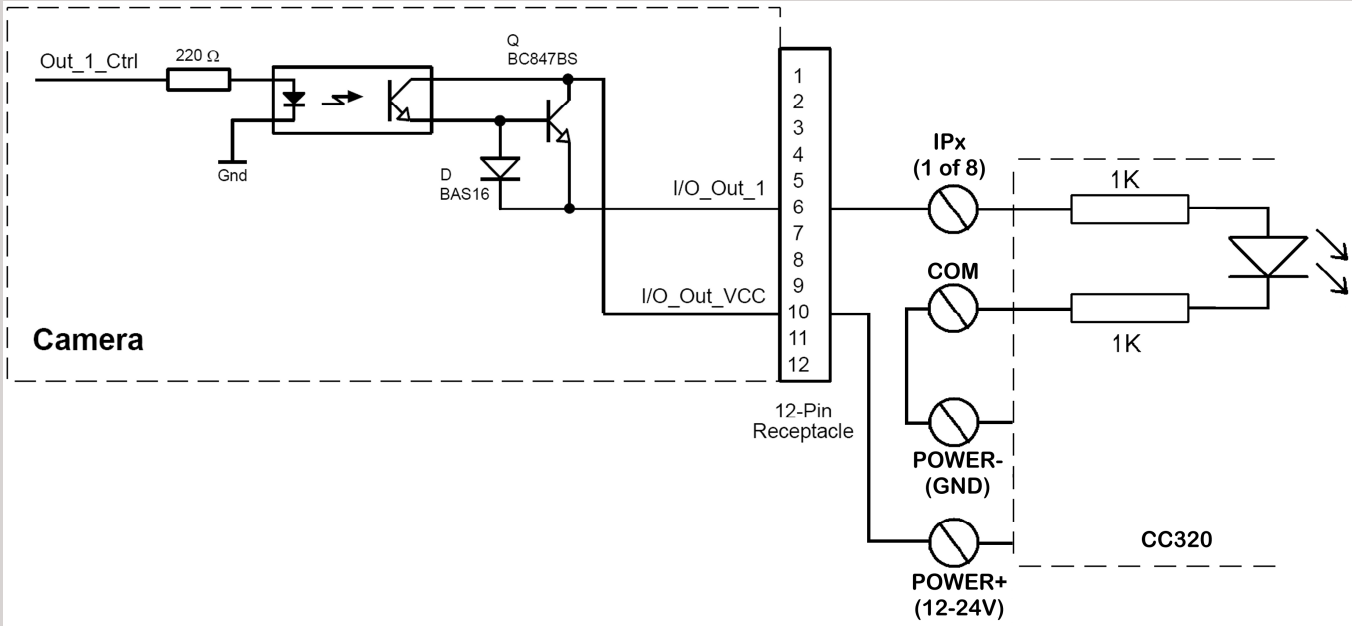
## Connecting a CC320 Input to a RS422 Output



## Connecting a CC320 Output to a Basler Scout Input



## Connecting a CC320 Input to a Basler Scout Output



### Disclaimer

No warranty is given as to the accuracy of this application note. Gardasoft Vision Ltd, Gardasoft Products Ltd and Gardasoft LLC will not accept any liability for consequential loss of any kind.



Pyramid Imaging  
 945 East 11<sup>th</sup> Ave  
 Tampa, FL 33605  
<https://pyramidimaging.com>



Trinity Court, Buckingway Business Park,  
 Swavesey, Cambridge, CB24 4UQ, UK

© 2001-2015 Gardasoft Vision Ltd/  
 Gardasoft LLC  
 All trademarks acknowledged

