

Preliminary

VC-90MC-8 / VC-90MX-26

VC-155MC-5 / VC-155MX-15

NEW ULTRA HIGH RESOLUTION CMOS DIGITAL CAMERAS



The VC-90MC, VC-90MX, VC-155MC and VC-155MX cameras, the latest members of the industrial proven VC series, are new 90 and 155 megapixel resolution CMOS cameras available with either a Camera Link or a CoaXPRESS interface. The VC-90MC and VC-90MX feature 90 megapixel resolution with frame rates of up to 8 and 26 fps respectively. For applications where higher resolution is essential, the VC-155MC and VC-155MX cameras are the best choice as they feature 155 megapixel resolution with frame rates of up to 5 and 15 fps respectively. Thanks to Vieworks' proprietary CMOS image sensor technology, these new cameras deliver unique and unparalleled performance in the most demanding applications such as FPD, PCB and semiconductor inspections.



# VC-90MC-8 / VC-90MX-26 / VC-155MC-5 / VC-155MX-15

NEW ULTRA HIGH RESOLUTION CMOS DIGITAL CAMERAS

## Main Features

- \* 90 Megapixel Resolution with a 3.5  $\mu\text{m}$  Pixel Size
  - 12560  $\times$  7080 Pixels with a 50.4 mm in Diagonal
- \* 155 Megapixel Resolution with a 3.5  $\mu\text{m}$  Pixel Size
  - 16384  $\times$  9440 Pixels with a 60.1 mm in Diagonal
- \* CoaXPress Interface up to 26.0 fps at 25 Gbps using 4 CH
- \* Camera Link Full Interface up to 8.8 fps
- \* Flat Field Correction
- \* 2 Binning – Horizontal and Vertical Independent
- \* GenICam Compatible – XML based Control

## Applications

- \* Flat Panel Display Inspection
- \* Printed Circuit Board Inspection
- \* Wafer Inspection
- \* Document / Film Scanning

## Specifications

## 90 Megapixel Cameras

Model	VC-90MC-M 8	VC-90MX-M 26
Resolution (H $\times$ V)	12560 $\times$ 7080	
Sensor	Vieworks' Proprietary 90MP CMOS Image Sensor	
Sensor Size (Diagonal)	43.96 mm $\times$ 24.78 mm (50.4 mm)	
Sensor Type	High Resolution CMOS Image Sensor	
Pixel Size	3.5 $\mu\text{m}$ $\times$ 3.5 $\mu\text{m}$	
Interface	Camera Link Full	CoaXPress
Max. Frame Rate	8.8 fps @ 8 bit	26 fps @ 8 bit
	3.8 fps @ 12 bit	16 fps @ 12 bit
Pixel Data Format	8 / 10 / 12 bit	
Electronic Shutter	Rolling Shutter	
Throughput	2.3 GB/s	
Gain Control	0 – 32 dB	
Dynamic Range	64 dB	
Dimension / Weight	90 mm $\times$ 90 mm $\times$ 105 mm, 772 g (M72-mount)	
Temperature	Operating: 0°C ~ 40°C, Storage: -40°C ~ 70°C	
Lens Mount	M72-mount, Custom mount available upon request	
Power	10 ~ 30 V DC, Typ. 12.0 W	
Compliance	CE, FCC, KC (in preparation)	
API SDK	Vieworks Imaging Solution 7.X	

# VC-90MC-8 / VC-90MX-26 / VC-155MC-5 / VC-155MX-15

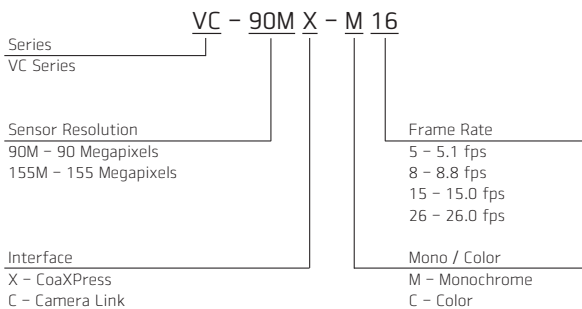
NEW ULTRA HIGH RESOLUTION CMOS DIGITAL CAMERAS

## Specifications

## 155 Megapixel Cameras

Model	VC-155MC-M 5	VC-155MX-M 15
Resolution (H × V)	16384 × 9440	
Sensor	Vieworks' Proprietary 155MP CMOS Image Sensor	
Sensor Size (Diagonal)	57.34 mm × 33.04 mm (66.1 mm)	
Sensor Type	High Resolution CMOS Image Sensor	
Pixel Size	3.5 μm × 3.5 μm	
Interface	Camera Link Full	CoaXPress
Max. Frame Rate	5.1 fps @ 8 bit	15 fps @ 8 bit
	2.1 fps @ 12 bit	10 fps @ 12 bit
Pixel Data Format	8 / 10 / 12 bit	
Electronic Shutter	Rolling Shutter	
Throughput	2.3 GB/s	
Gain Control	0 – 30 dB	
Dynamic Range	64 dB	
Dimension / Weight	90 mm × 90 mm × 105 mm, 772 g (M72-mount)	
Temperature	Operating: 0°C ~ 40°C, Storage: -40°C ~ 70°C	
Lens Mount	M72-mount, Custom mount available upon request	
Power	10 ~ 30 V DC, Typ. 15.0 W	
Compliance	CE, FCC, KC (in preparation)	
API SDK	Vieworks Imaging Solution 7.X	

## Ordering Scheme



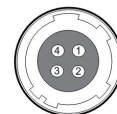
## Connector Specification

Power



1 2 3: +12V DC, 4 5 6: GND  
(HR10A-7R-6PB)

Control



1: Trigger IN+, 2: Trigger IN-  
3: DC Ground, 4: Strobe OUT+  
(HR10A-7R-4S)

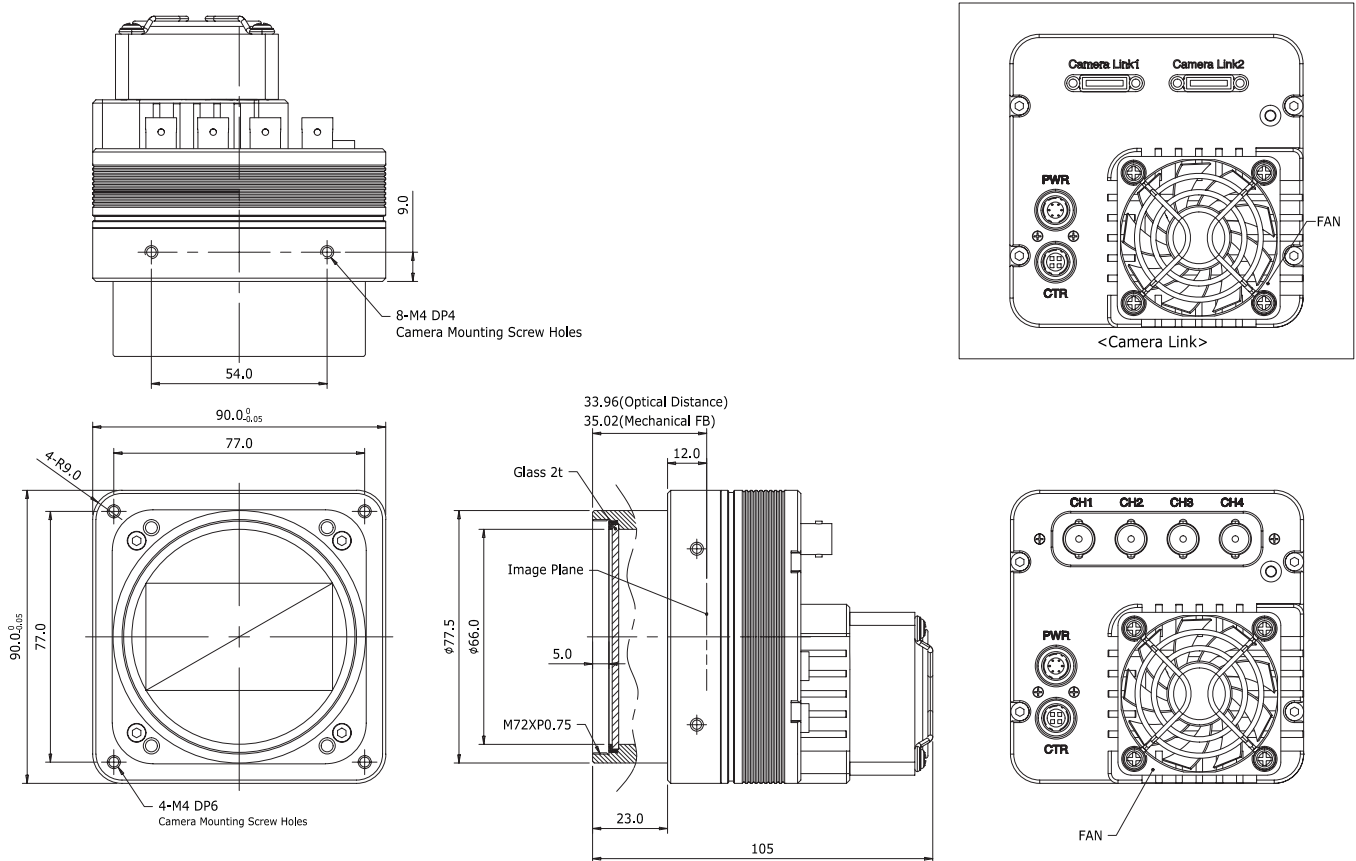
Connectors on camera body

# VC-90MC-8 / VC-90MX-26 / VC-155MC-5 / VC-155MX-15

NEW ULTRA HIGH RESOLUTION CMOS DIGITAL CAMERAS

## Mechanical Dimensions

Unit: mm



For more information please contact us or visit our website at <http://www.pyramidimaging.com>.

Reproduction in whole or in part without written permission is prohibited. Vieworks Co., Ltd. is not responsible for any technical or typographical errors and reserves the right to make changes to products, specifications and documentation without prior notice.

D-18-436



945 East 11th Avenue Tampa, FL 33605

tel: 813-984-0125 website: [www.pyramidimaging.com](http://www.pyramidimaging.com) e-mail: [sales@pyramidimaging.com](mailto:sales@pyramidimaging.com)