

---

# VN-200MX

200 MEGAPIXEL PIXEL SHIFTING CAMERA WITH COAXPRESS INTERFACE



The VN-200MX, the latest member of the industrial proven VN series, is the highest CMOS pixel shifting camera equipped with the CoaXPRESS interface. It features 50 megapixel resolution with frame rate up to 30 fps. This is the highest pixel shifting camera whose resolution is extended from 50 MP up to 427 MP through vieworks' iconic pixel shifting technology. With the VN-200MX, customers in the industrial market can take advantage of 427 million pixel resolution at 3 fps. Its CoaXPRESS interface supports transmitting image data at up to 6.25 Gbps using a single coaxial cable and up to 25 Gbps using four cables. Featured with high speed and high resolution, this new technology is ideal for inspection systems such as FPD, PCB and semiconductor as well as 3D imaging and digitizing of different objects.

# VN-200MX

200 MEGAPIXEL PIXEL SHIFTING CAMERA WITH COAXPRESS INTERFACE

## Main Features

- \* 50 Megapixel Resolution (AMS CMOSIS)
- \* Nano Stage Pixel Shifting Mechanism
- \* Extended Resolution up to 427 MP at 3 fps (9 Shot Mode)
- \* CoaXPress Interface up to 30 fps at 25 Gbps using 4 CH
- \* Pixel Defect Correction
- \* Flat Field Correction
- \* DSNU and PRNU Correction

## Applications

- \* FPD and PCB Inspection
- \* Semiconductor Inspection
- \* High Speed 3D Imaging
- \* Digitizing and Scanning
- \* Research and Scientific Imaging

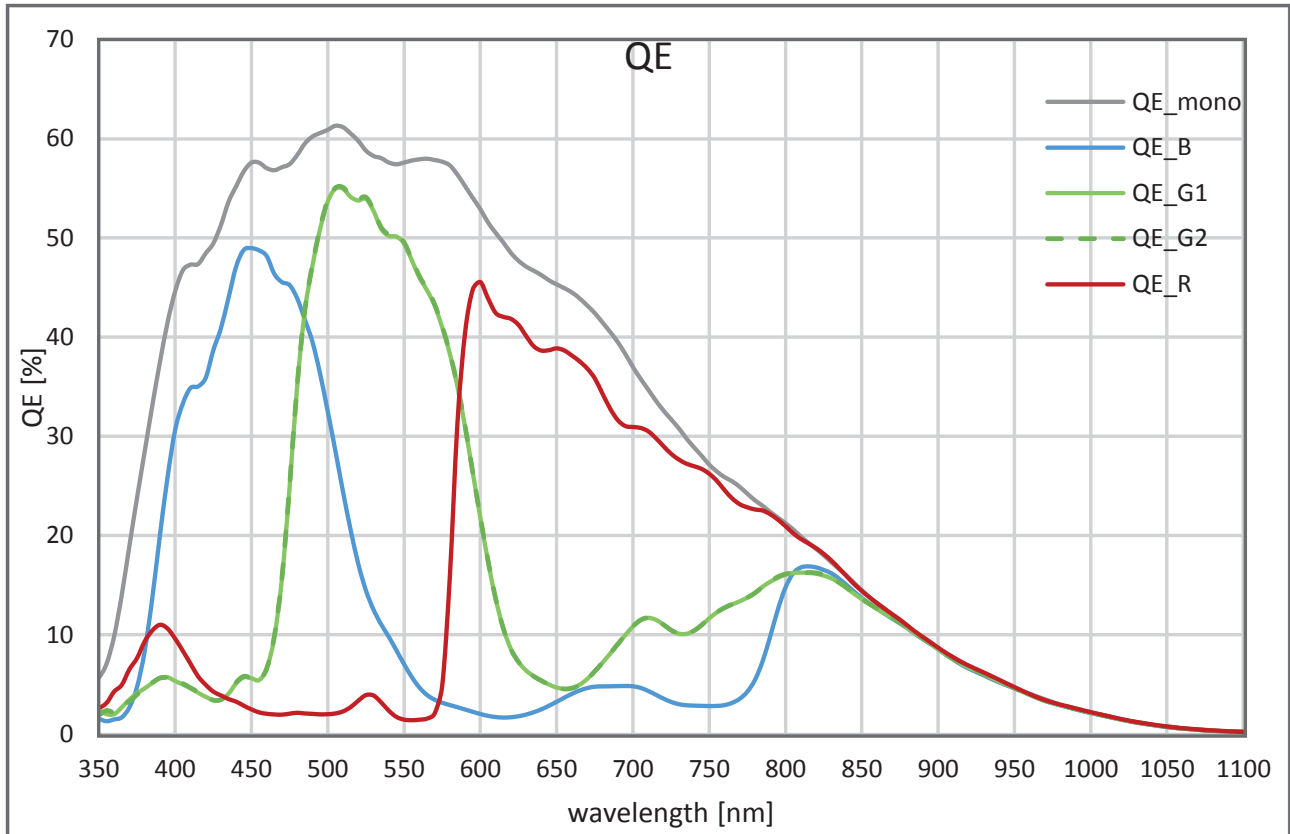
## Specifications

Model	VN-200MX-M/C 30			
Resolution (H × V)	7920 × 6004			
Sensor	AMS CMOSIS CMV 50000			
Sensor Size (Optical Diagonal)	35 mm (45.72 mm)			
Sensor Type	High Speed CMOS Image Sensor			
Pixel Size	4.6 μm × 4.6 μm			
Interface	CoaXPress			
Max. Frame Rate	47.5 MP	1CH: 7.7 fps @ 6.25 Gbps	2CH: 15.5 fps @ 6.25 Gbps	4CH: 30.9 fps @ 6.25 Gbps
	190 MP	1CH: 2 fps @ 6.25 Gbps	2CH: 3.9 fps @ 6.25 Gbps	4CH: 7.7 fps @ 6.25 Gbps
	427 MP	1CH: 1 fps @ 6.25 Gbps	2CH: 1.7 fps @ 6.25 Gbps	4CH: 3.4 fps @ 6.25 Gbps
Exposure Time (1 μs step)	1 μs – 60 s			
Partial Scan (Max. Speed)	3968 fps at 4 Lines			
Pixel Data Format	Mono	Mono 8 / Mono 10 / Mono 12		
	Color	BG Bayer 8 / BG Bayer 10 / BG Bayer 12		
Electronic Shutter	Global Shutter			
Exposure Mode	Free-Run, Timed and Trigger Width			
Dynamic Range	64 dB			
Gain Control	1 × ~ 30 × (1/1024 step)			
Black Level Control	0 ~ 256 LSB at 12 bit (1 LSB step)			
Shift Range	0 ~ 7.5 μm, 1 nm step			
Shift Resolution	0.001 μm			
Shift Control	Sequence Mode (mono4, mono9, mono2H, mono2V, bayer4, bayer16)			
Dimension / Weight	80 mm × 80 mm × 150 mm, 1,100 g			
Temperature	Operating: -5°C ~ 40°C, Storage: -40°C ~ 70°C			
Lens Mount	F-mount, Custom mount available upon request			
Power	External	10 ~ 24 V DC, Typ. 14.0 W		
	PoCXP	24 V DC, Minimum of two PoCXP cables required		
Compliance	CE, FCC, KC			
API SDK	Vieworks Imaging Solution 7.X			

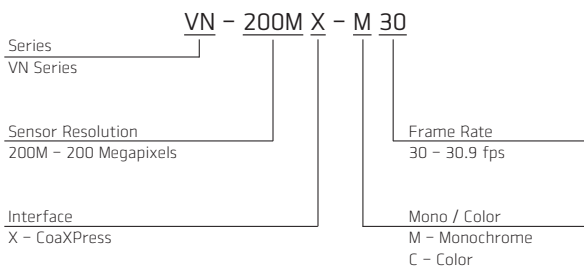
# VN-200MX

200 MEGAPIXEL PIXEL SHIFTING CAMERA WITH COAXPRESS INTERFACE

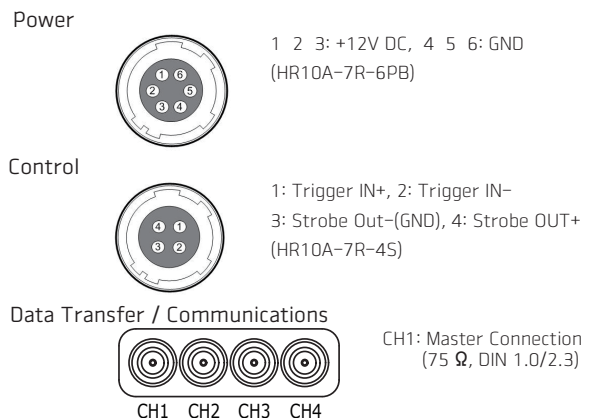
## Quantum Efficiency Curves



## Ordering Scheme



## Connector Specification



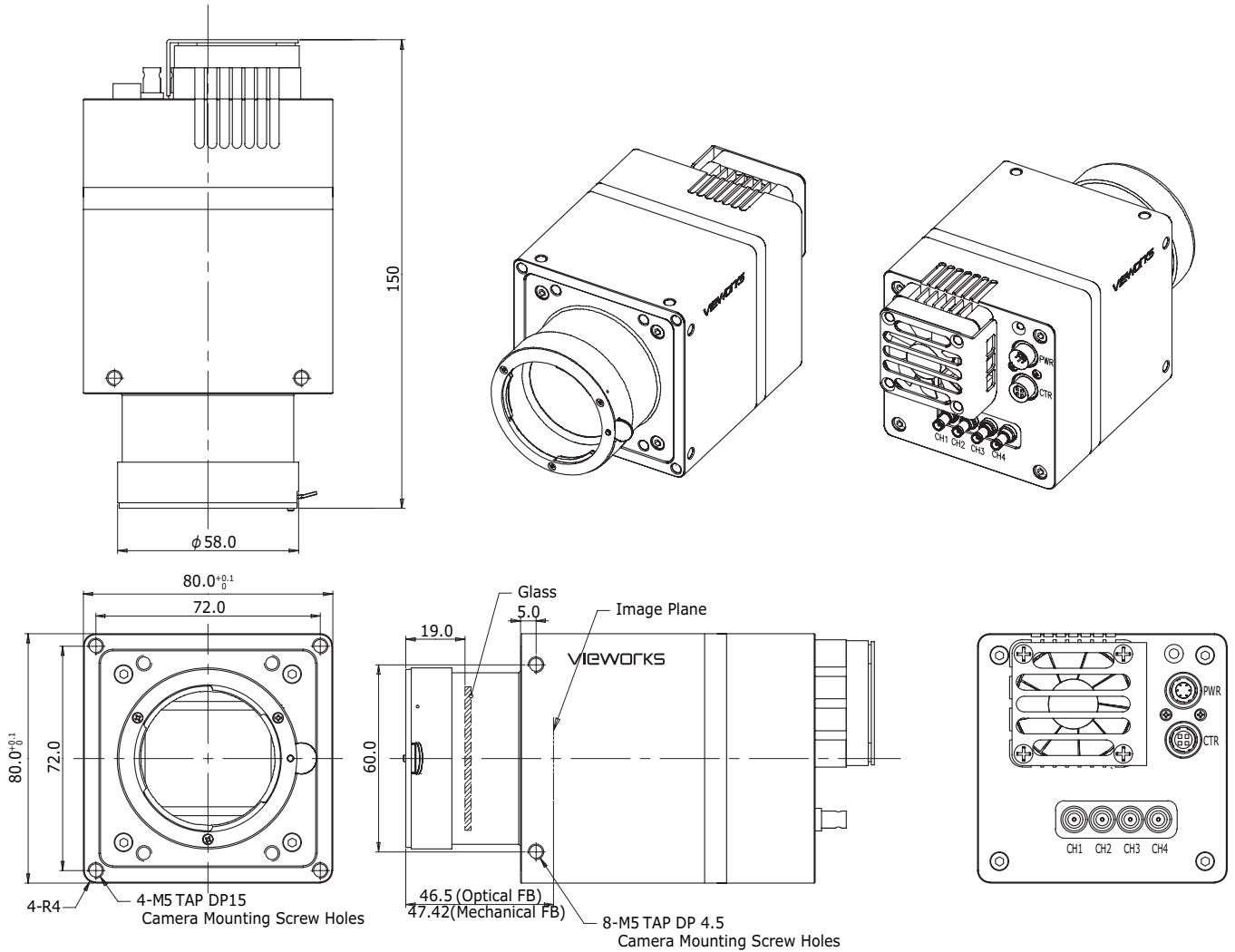
Connectors on camera body

# VN-200MX

200 MEGA PIXEL PIXEL SHIFTING CAMERA WITH COAXPRESS INTERFACE

## Mechanical Dimensions

Unit: mm



For more information please contact local distributor or visit our website at <http://www.pyramidimaging.com>.

Reproduction in whole or in part without written permission is prohibited. Pyramid Imaging is not responsible for any technical or typographical errors and reserves the right to make changes to products, specifications and documentation without prior notice.

D-18-142



945 East 11th Avenue Tampa, FL 33605

tel 813-984-0125 web [www.pyramidimaging.com](http://www.pyramidimaging.com) e-mail [sales@pyramidimaging.com](mailto:sales@pyramidimaging.com)