

# VNP-200MX

200 MEGAPIXEL PIXEL SHIFTING CAMERA  
EQUIPPED WITH THERMOELECTRIC PELTIER



**CoaXPress®**

The VNP-200MX, a pixel shifting camera equipped with thermo-electric Peltier (TEC) cooled, is designed not only for applications where extremely high resolution is required but also where high quality image is essential. The TEC maintains the operating temperature of the image sensor at up to 11 degrees below ambient temperature to reduce noise significantly. Pixel shifting technology based on a precise piezoelectric stage allows image captures as high as 427 million pixels using the VNP-200MX camera. Its CoaXPress interface supports transmitting image data at up to 25 Gbps using four coaxial cables. This camera is ideal for applications such as FPD inspection, document / film scanning, research and scientific imaging.

# VNP-200MX

200 MEGA PIXEL PIXEL SHIFTING CAMERA EQUIPPED WITH THERMOELECTRIC PELTIER

## Main Features

- \* 50 Megapixel Resolution (AMS CMOSIS)
- \* Nano Stage Pixel Shifting Mechanism
- \* Extended Resolution up to 427 MP at 3 fps (9 Shot Mode)
- \* Thermoelectric Peltier Cooling
- \* CoaXPress Interface up to 30 fps at 25 Gbps using 4 CH
- \* Pixel Defect Correction
- \* Flat Field Correction
- \* DSNU and PRNU Correction

## Applications

- \* FPD and PCB Inspection
- \* Semiconductor Inspection
- \* High Speed 3D Imaging
- \* Digitizing and Scanning
- \* Research and Scientific Imaging

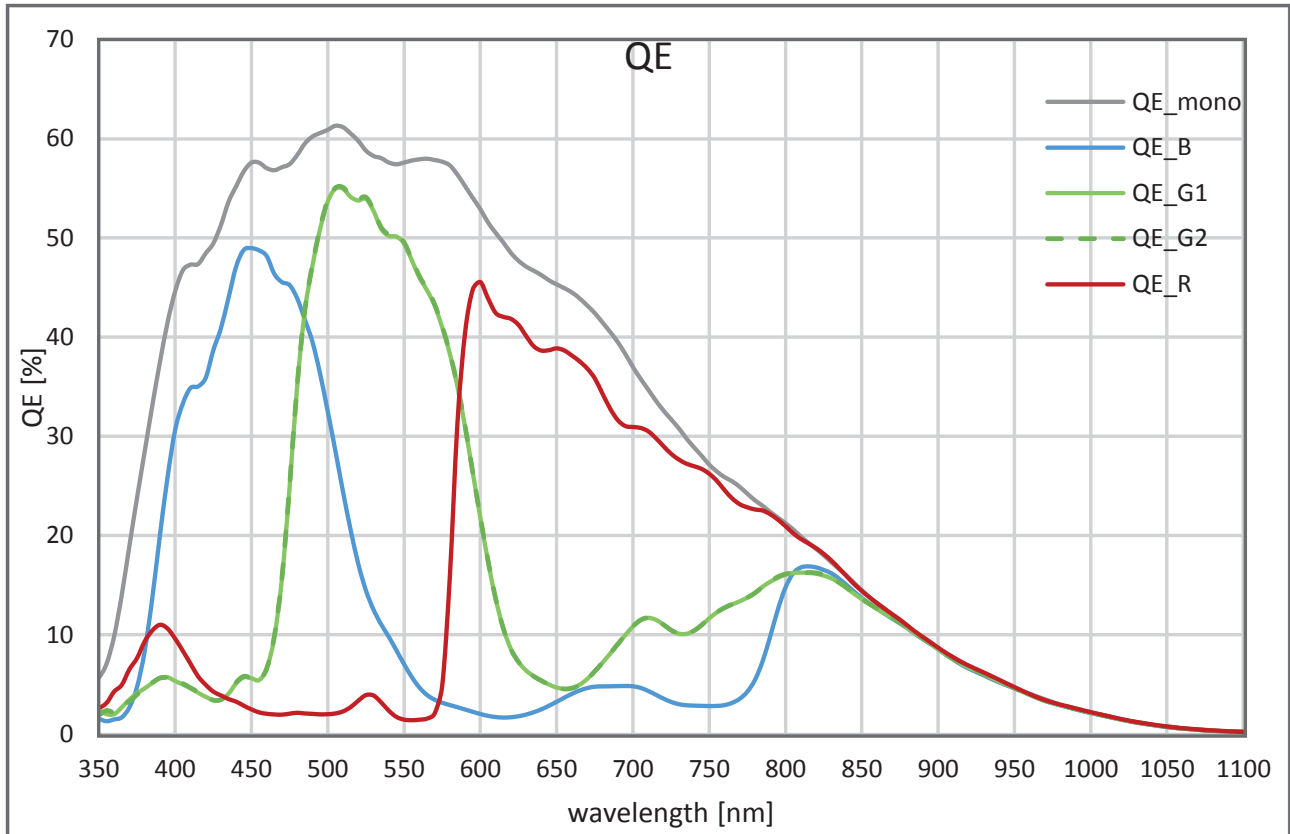
## Specifications

Model	VNP-200MX-M/C 30			
Resolution (H × V)	7920 × 6004			
Sensor	AMS CMOSIS CMV 50000			
Sensor Size	36.43 mm × 27.62 mm (Diagonal: 45.72 mm, Optical Format: 35 mm)			
Sensor Type	High Speed CMOS Image Sensor			
Pixel Size	4.6 μm × 4.6 μm			
Interface	CoaXPress			
Max. Frame Rate	47.5 MP	1CH: 7.7 fps @ 6.25 Gbps	2CH: 15.5 fps @ 6.25 Gbps	4CH: 30.9 fps @ 6.25 Gbps
	190 MP	1CH: 2 fps @ 6.25 Gbps	2CH: 3.9 fps @ 6.25 Gbps	4CH: 7.7 fps @ 6.25 Gbps
	427 MP	1CH: 1 fps @ 6.25 Gbps	2CH: 1.7 fps @ 6.25 Gbps	4CH: 3.4 fps @ 6.25 Gbps
Exposure Time (1 μs step)	1 μs – 60 s			
Partial Scan (Max. Speed)	3968 fps at 4 Lines			
Pixel Data Format	Mono	Mono 8 / Mono 10 / Mono 12		
	Color	BG Bayer 8 / BG Bayer 10 / BG Bayer 12		
Electronic Shutter	Global Shutter			
Exposure Mode	Free-Run, Timed and Trigger Width			
Dynamic Range	64 dB			
Gain Control	1× ~ 30× (1/1024 step)			
Black Level Control	0 ~ 256 LSB at 12 bit (1 LSB step)			
Shift Range	0 ~ 7.5 μm, 1 nm step			
Shift Resolution	0.001 μm			
Shift Control	Sequence Mode (mono4, mono9, mono2H, mono2V, bayer4, bayer16)			
Cooling Method	Thermoelectric Peltier Cooling			
Cooling Performance	11°C below ambient temperature / Standard cooling with a fan			
Dimension / Weight	90 mm × 90 mm × 191 mm, 1,920 g			
Temperature	Operating: -5°C ~ 40°C, Storage: -40°C ~ 70°C			
Lens Mount	F-mount, Custom mount available upon request			
Power	External	10 ~ 24 V DC, Typ. 26.0 W		
	PoCXP	Not supported		
Compliance	CE, FCC, KC			
API SDK	Vieworks Imaging Solution 7.X			

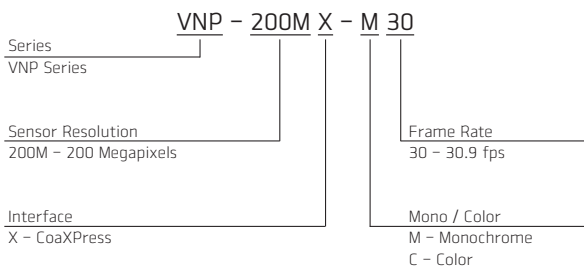
# VNP-200MX

200 MEGAPIXEL PIXEL SHIFTING CAMERA EQUIPPED WITH THERMOELECTRIC PELTIER

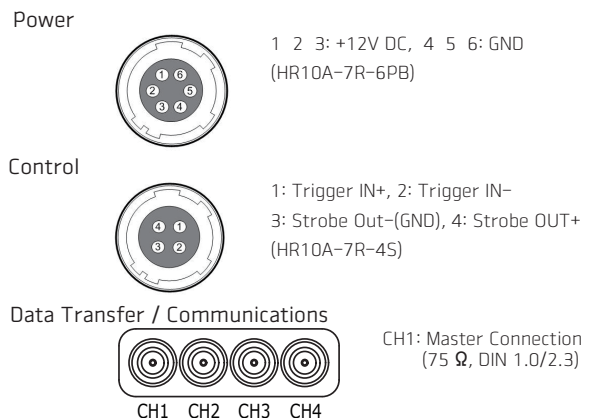
## Quantum Efficiency Curves



## Ordering Scheme



## Connector Specification



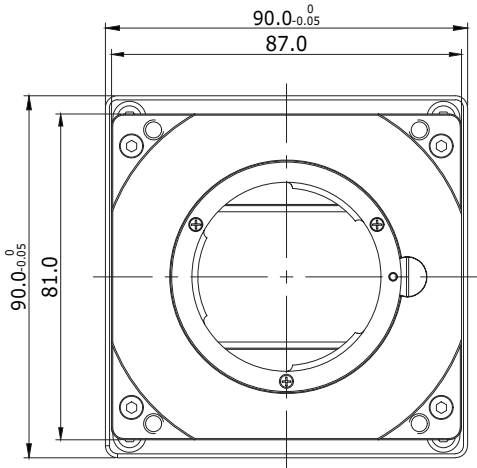
Connectors on camera body

# VNP-200MX

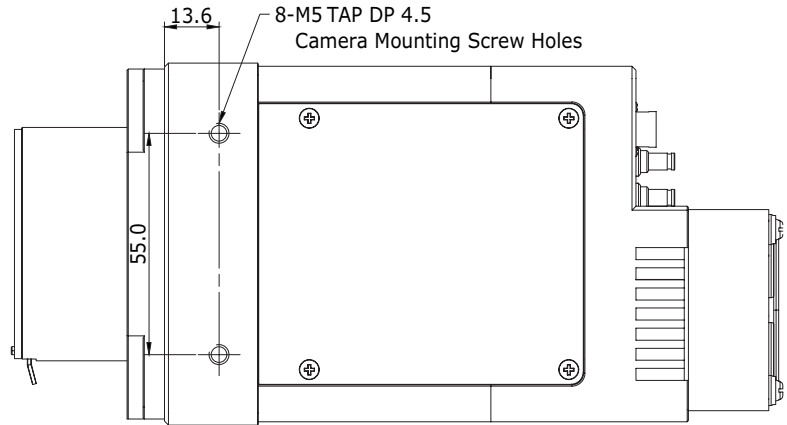
200 MEGA PIXEL PIXEL SHIFTING CAMERA EQUIPPED WITH THERMOELECTRIC PELTIER

## Mechanical Dimensions

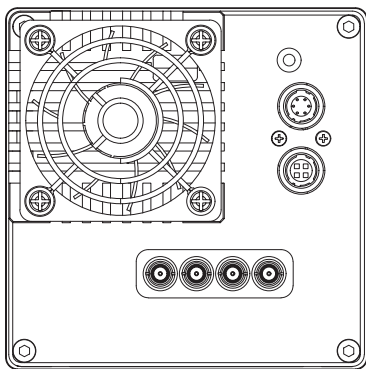
Unit: mm



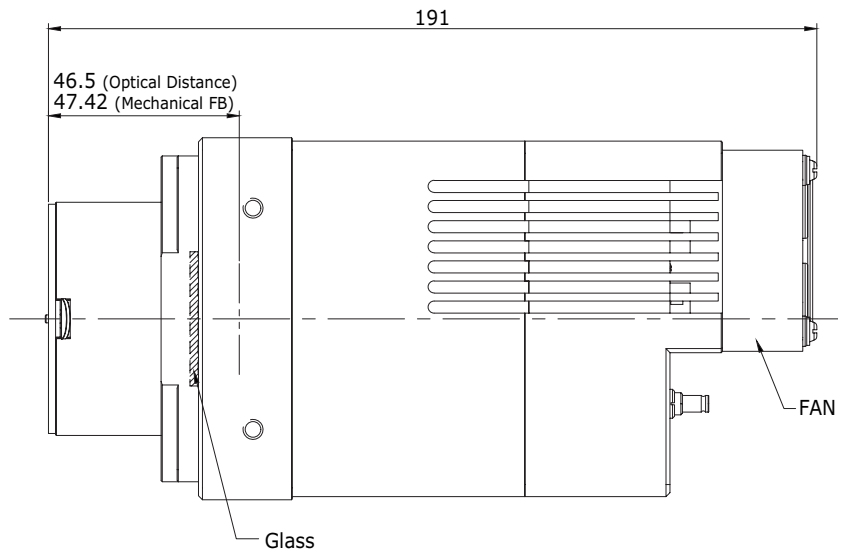
<Front View>



<Top View>



<Back View>



<Side View>

For more information please contact local distributor or visit our website at <http://www.pyramidimaging.com>.

Reproduction in whole or in part without written permission is prohibited. Pyramid Imaging is not responsible for any technical or typographical errors and reserves the right to make changes to products, specifications and documentation without prior notice.

D-18-206

