
VX-25MG-M 5

AERIAL IMAGING / SURVEILLANCE CAMERAS



The VX-25MG-5 camera is ideal for aerial imaging and ground surveillance applications which require Photographic Quality resolution and easy-to-use system integration. The VX-25MG, the new member of the VX series, uses the industrial proven CMOS imaging sensor technology and performs as fast as 5 fps with 25 million pixel resolution. Taking pictures with this camera is made easy with features such as; auto exposure, auto gain, auto focus, lens aperture control, and several innovative features to manage network bandwidth when connecting multiple cameras together on a gigabit Ethernet network.



VX-25MG

AERIAL IMAGING / SURVEILLANCE CAMERAS

Main Features

- * 25 Megapixel Resolution (ON Semiconductor)
- * Extended Operating Temperature: $-40^{\circ}\text{C} \sim 70^{\circ}\text{C}$
- * Auto Controls (Exposure, Gain, Aperture, Focus)
- * Canon-EF Adapter Control
- * Pixel Defect Correction
- * Non-uniformity Correction (DSNU and PRNU)
- * IEEE 802.3 (Pause Frame Control) and Inter-packet Delay
- * Internal Frame Buffer
- * Stream Hold

Applications

- * Aerial Imaging
- * Ground Surveillance
- * Research and Scientific Imaging

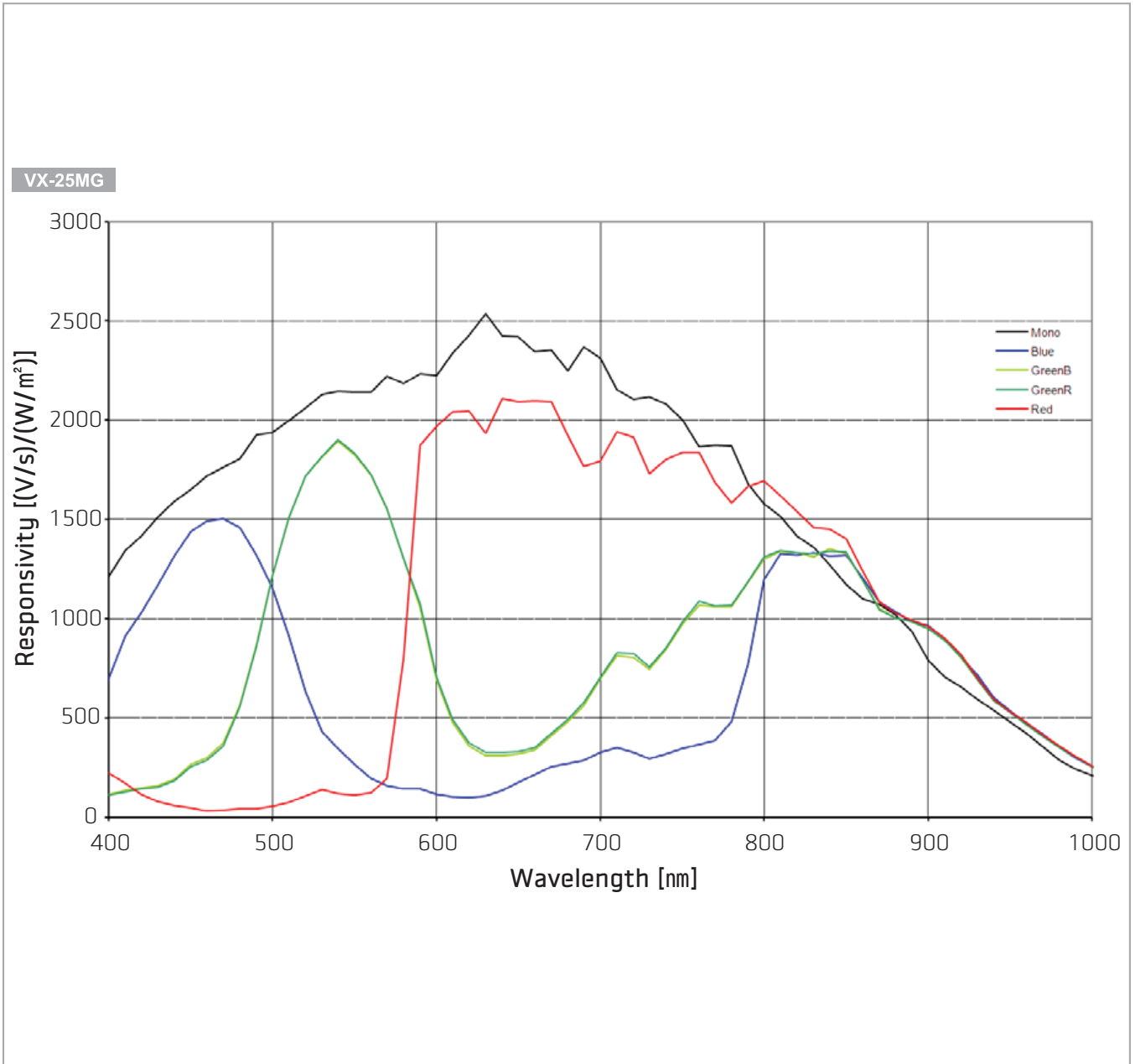
Specifications

Model	VX-25MG-M 5
Resolution (H × V)	5120 × 5120
Sensor	ON Semiconductor VITA-25K
Sensor Size (Optical Format)	35 mm
Sensor Type	High Speed CMOS Image Sensor
Pixel Size	4.5 μm × 4.5 μm
Sensor Output	32 CH LVDS
Interface	Gigabit Ethernet
Max. Frame Rate	4.7 fps / 25 fps (Burst Mode)
Exposure Time	1/1,000,000 – 60 s
Partial Scan (Max. Speed)	13,888 fps at 1 Lines (H: 256)
Pixel Data Format	8 bit
Electronic Shutter	Global Shutter
Exposure Mode	Timed Exposure and Trigger Width Exposure
Dynamic Range	54 dB
Binning	×1, ×2 (Horizontal and Vertical Independent)
Black Level	Adjustable (0 ~ 16 LSB, 16 steps)
Digital Gain	×1 ~ ×4 (1/128 step)
Camera Image Memory	2 Gb
Dimension / Weight	68 mm × 68 mm × 80 mm, 420 g (with F-mount) 68 mm × 68 mm × 77 mm, 578 g (with Canon-EF Adapter)
Temperature	Operating: $-50^{\circ}\text{C} \sim 80^{\circ}\text{C}$, Storage: $-50^{\circ}\text{C} \sim 90^{\circ}\text{C}$
Vibration / Shock	10G (20 ~ 200 Hz) XYZ / 70G 10 ms
Lens Mount	F-mount or Interface for Canon-EF Adapter
Power	10~36 V DC, Typ. 7.5 W
API SDK	Vieworks Imaging Solution 7.X

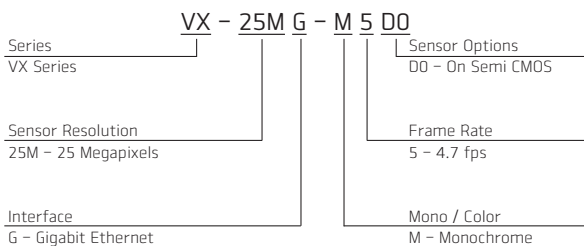
VX-25MG

AERIAL IMAGING / SURVEILLANCE CAMERAS

Quantum Efficiency Curves



Ordering Scheme



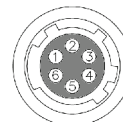
Connector Specification

Power



1 2 3: +12V DC, 4 5 6: GND
(HR10A-7R-6PB)

Control



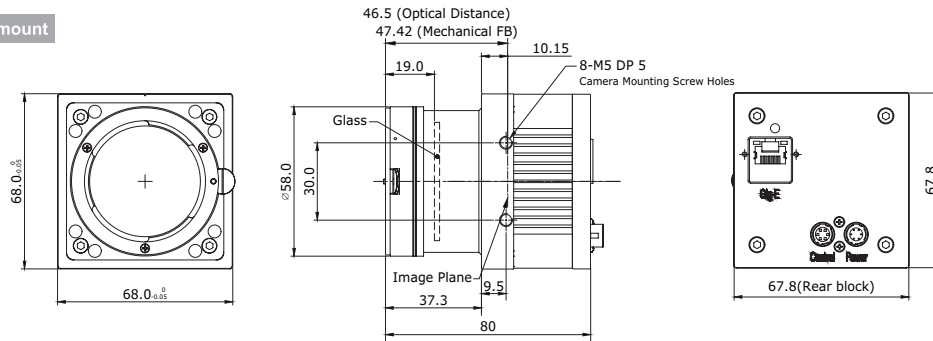
1: Trigger IN+, 2: Trigger IN-
3: Strobe Out, 4: DC Ground
5: RS-232-RX←, 6: RS-232 TX→
(HR10A-7R-6SB)

Connectors on camera body

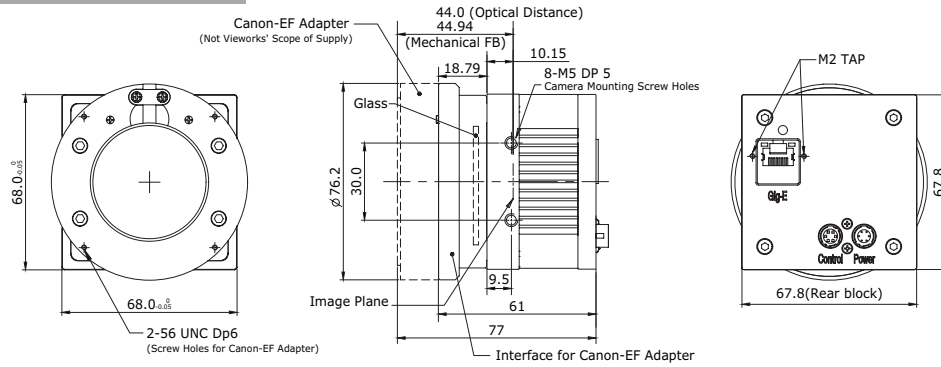
Mechanical Dimensions

Unit: mm

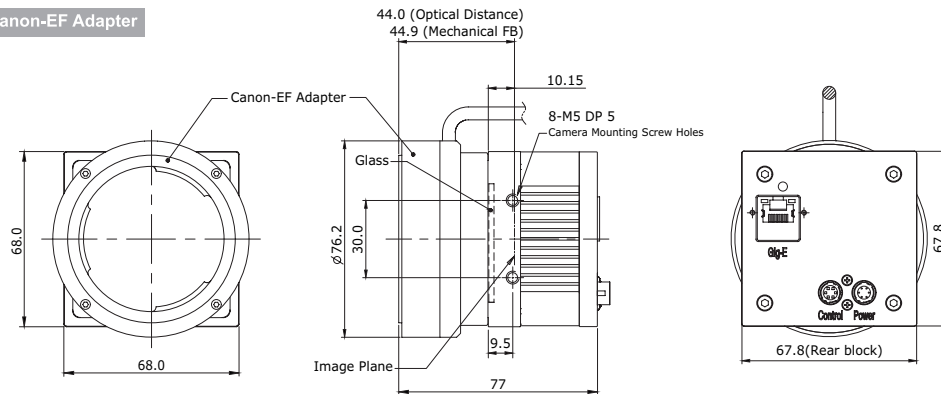
VX-25MG F-mount



VX-25MG Interface for Canon-EF Adapter



VX-25MG Canon-EF Adapter



*. Vieworks does not provide a Canon-EF Adapter (Birger Mount).

