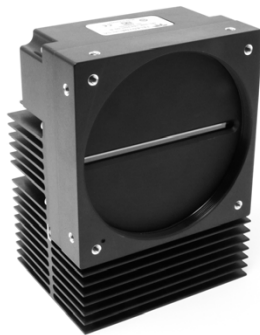


# Linea ML Monochrome

8k and 16k Multiline CMOS Camera



## High-Speed Monochrome Camera with a Fiber Optic Interface

The Linea ML™ multiline CMOS 8k and 16k monochrome cameras meet the requirements of demanding imaging applications with industry leading performance. Based on Teledyne DALSA's unique CMOS line scan technology, the Linea ML cameras deliver superb images in HDR with a compact footprint and a high-speed fiber optic interface.

### Specifications

Resolution	8,192 x 4 pixels (8k) 16,384 x 4 pixels (16k)
Line Rate	300 kHz maximum
Pixel Size	5 $\mu\text{m}$ x 5 $\mu\text{m}$
Data Format	8 or 12 bits, selectable
Output	Monochrome / HDR
Lens Mount	M58 x 0.75 (8k) M90 x 1 (16k)
Responsivity	See graph
Dynamic Range	72 dB
Nominal Gain Range	1x to 10x
Size	76 mm x 76 mm x 85 mm (8k) 97 mm x 140.5 mm x 78.6 mm (16k)
Mass	< 500 g (8k) 1.2 kg (16k)
Operating Temp	0 °C to +65 °C, front plate
Power	+12 V to +24 V DC, Hirose 12-pin
Power Dissipation	15 W (8k) 20 W (16k)
Control & Data	Camera Link HS, LC (8k) or CX4 (16k)
GPIO	Direction and independent line control
Regulatory Compliance	CE, FCC, and RoHS

### Key Features

- High speed: up to 300 kHz line rate
- High dynamic range (72 dB)
- Bi-directional
- Independent exposure control per line (start and end of exposure)
- Compatible with a long fiber optic cable
- Cycling mode
- LUT

### Programmability

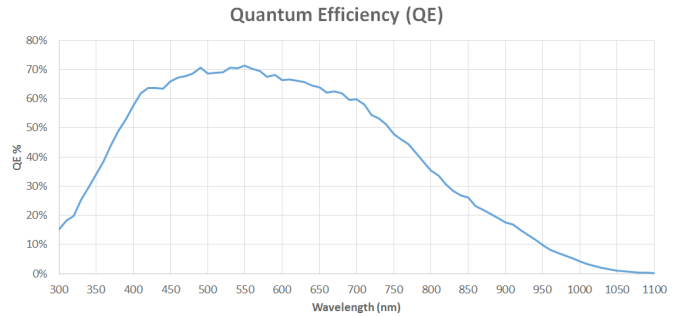
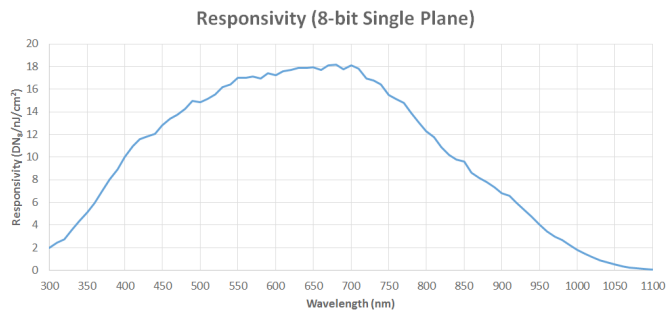
- Multiple regions and areas of interest
- Flat field and lens shading correction
- High speed loading of coefficient sets
- GenICam™ compliant interface

### Typical Applications

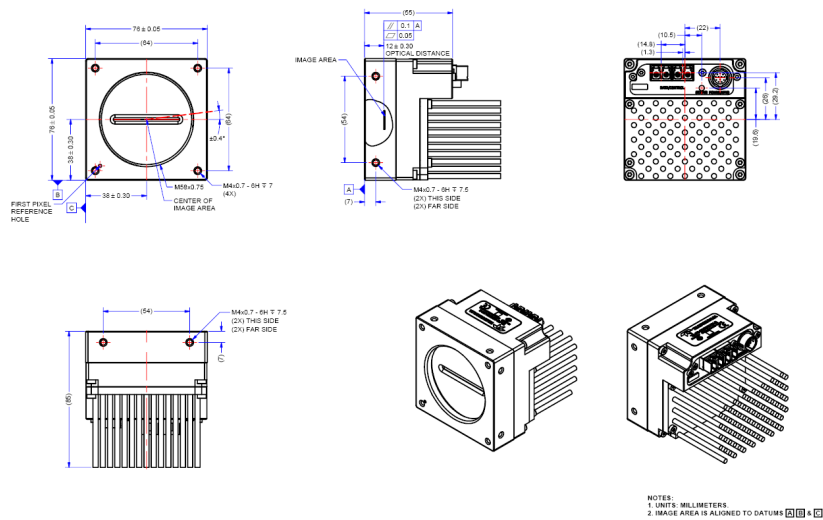
- Flat panel inspection
- Electronics inspection
- Web inspection
- General purpose machine vision

### Linea ML Camera Models

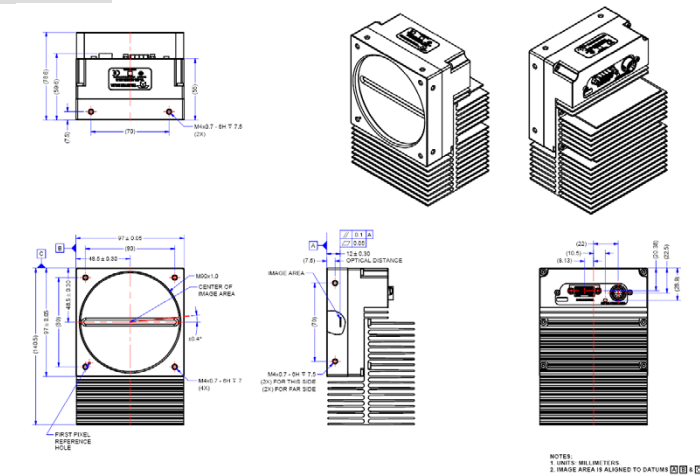
Part Number	Resolution	Max Line Rates	Pixel Size	Output
ML-FM-08K30H-00-R	8,192 x 4 pixels	280 kHz (140 kHz x 2) 300 kHz using AOI	5 $\mu\text{m}$ x 5 $\mu\text{m}$	Mono / HDR
ML-HM-16K30H-00-R	16,384 x 4 pixels	300 kHz (150 kHz x 2)	5 $\mu\text{m}$ x 5 $\mu\text{m}$	Mono / HDR



#### 8k model



#### 16k model



[pyramidimaging.com](http://pyramidimaging.com)

Pyramid Imaging  
 945 East 11<sup>th</sup> Avenue  
 Tampa, FL 33605  
[sales@pyramidimaging.com](mailto:sales@pyramidimaging.com)

