



Key Features

- Imaging in near-infrared
- 8192 pixels with 256 TDI stages
- 34 kHz line rate, max
- 281 Mpix/s throughput
- Bidirectional operation
- Lateral antiblooming
- Camera Link interface

Programmability

- Selectable TDI stages—16, 64, 128, 192, 240, 256
- Area mode of operation for ease of alignment
- Up to four user sets of coefficients
- Mirroring and forward / reverse control
- Flat field correction

Typical Applications

- Solar cell inspection
- PCB / Electronics inspection
- Large web applications
- Food and drug inspection

Improved sensitivity in near-infrared wavelengths

For certain applications—such as solar cell inspection—improved sensitivity in the near-infrared region is critical for capturing images beyond the visible spectrum.

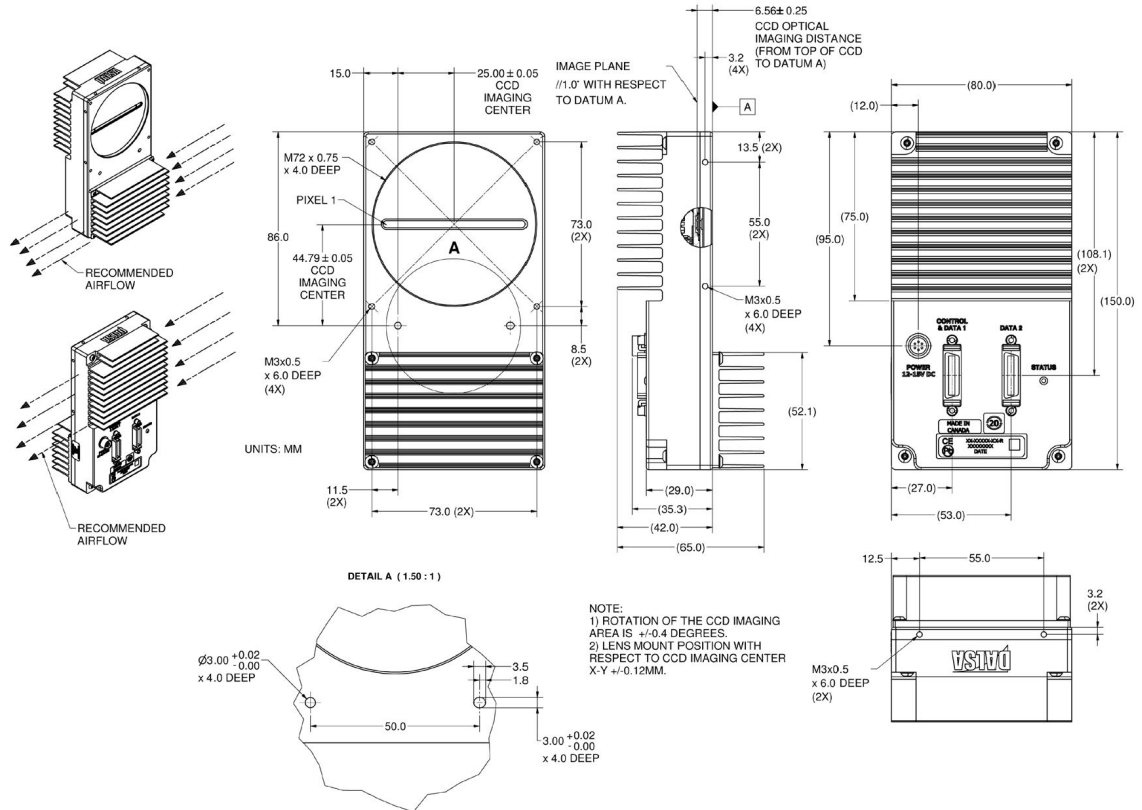
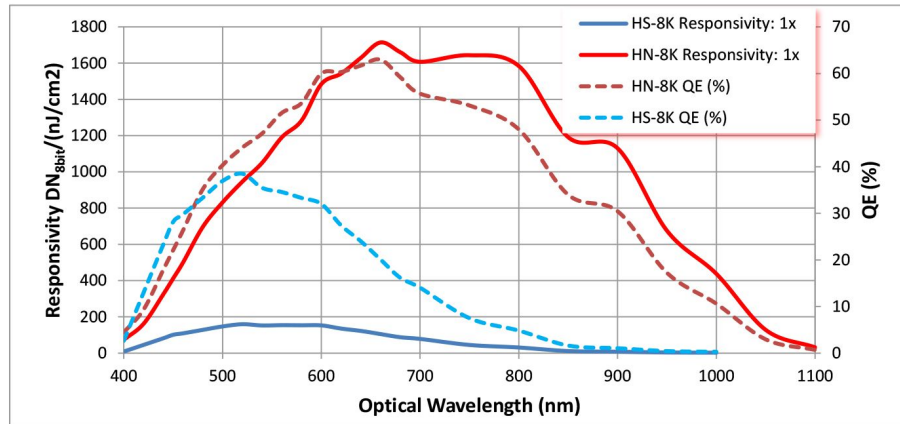
Teledyne DALSA's Piranha HS NIR 8k TDI camera is designed to meet the requirements of applications imaging in the near-infrared wavelengths. TDI technology enables multiple exposures to achieve excellent signal-to-noise ratio at high speeds and under low light conditions.

This High Sensitivity NIR camera extends Teledyne DALSA's industry leading high sensitivity product line and provides a cost-effective solution for imaging in the near-infrared wavelengths from 700 nm to 1050 nm.

Specifications

Resolution	8192 x 256 TDI pixels
Data Rate	281 Mpix/s
Max. Line Rate	34 kHz
Pixel Size	7 μm x 7 μm
Data Format	8 bit or 12 bit, selectable
Output	Camera Link
Lens Mount	M72 x 0.75
Responsivity @ 1000 nm	430 $\text{DN}_{8\text{-bit}} / (\text{nJ}/\text{cm}^2)$ @ 0 dB
Broadband Responsivity	1240 $\text{DN}_{8\text{-bit}} / (\text{nJ}/\text{cm}^2)$ @ 0 dB
Dynamic Range	62 dB
Nominal Gain Range	0 dB to + 20 dB
Size	150 mm x 80 mm x 65 mm
Mass	650 g
Operating Temp	0 °C to 50 °C
Power Supply	12 V to 15 V DC
Power Dissipation	18.5 W
Regulatory Compliance	CE and RoHS
Control	MDR26 Camera Link
Data	Shared with Control
Power	Hirose HR10 6-pin
Part Number	HN-80-08K40-00-R

Improved sensitivity in near-infrared wavelengths. NIR imaging up to a wavelength of 1050 nanometers.



www.teledynedalsa.com

Americas
 Boston, USA
 +1 978-670-2000
sales.americas@teledynedalsa.com

Europe
 Krailling, Germany
 +49 89-89-54-57-3-80
sales.europe@teledynedalsa.com

Asia Pacific
 Tokyo, Japan
 +81 3-5960-6353
sales.asia@teledynedalsa.com

Shanghai, China
 +86 21-3368-0027
sales.asia@teledynedalsa.com