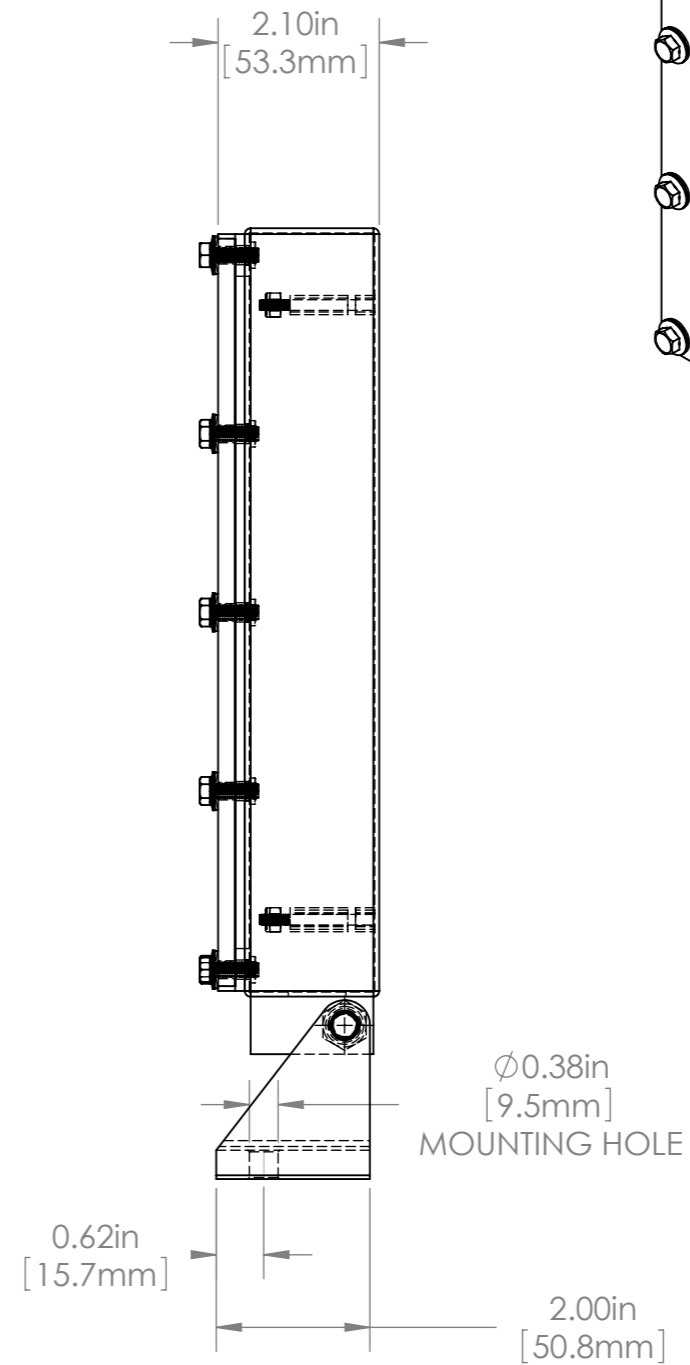
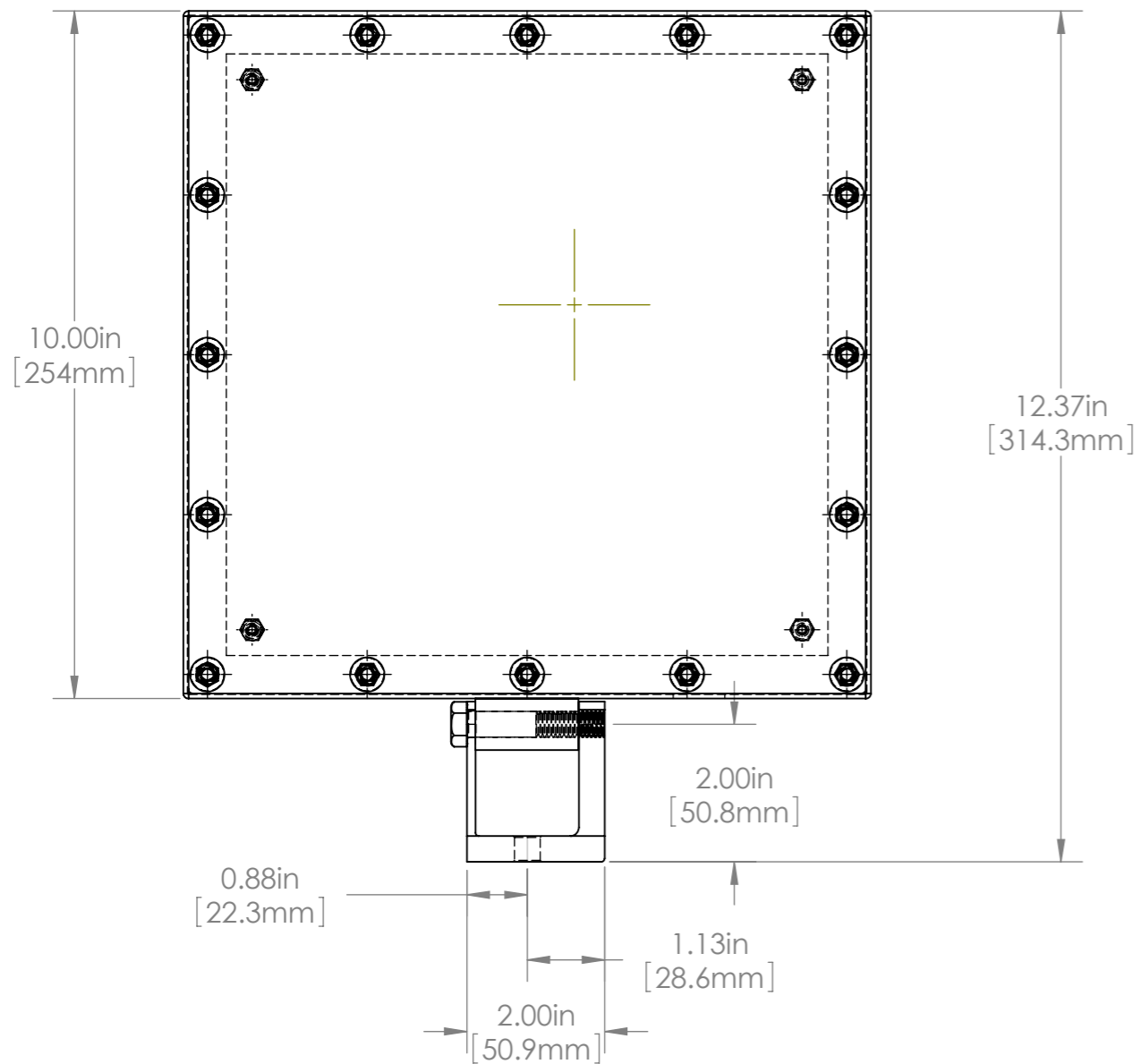
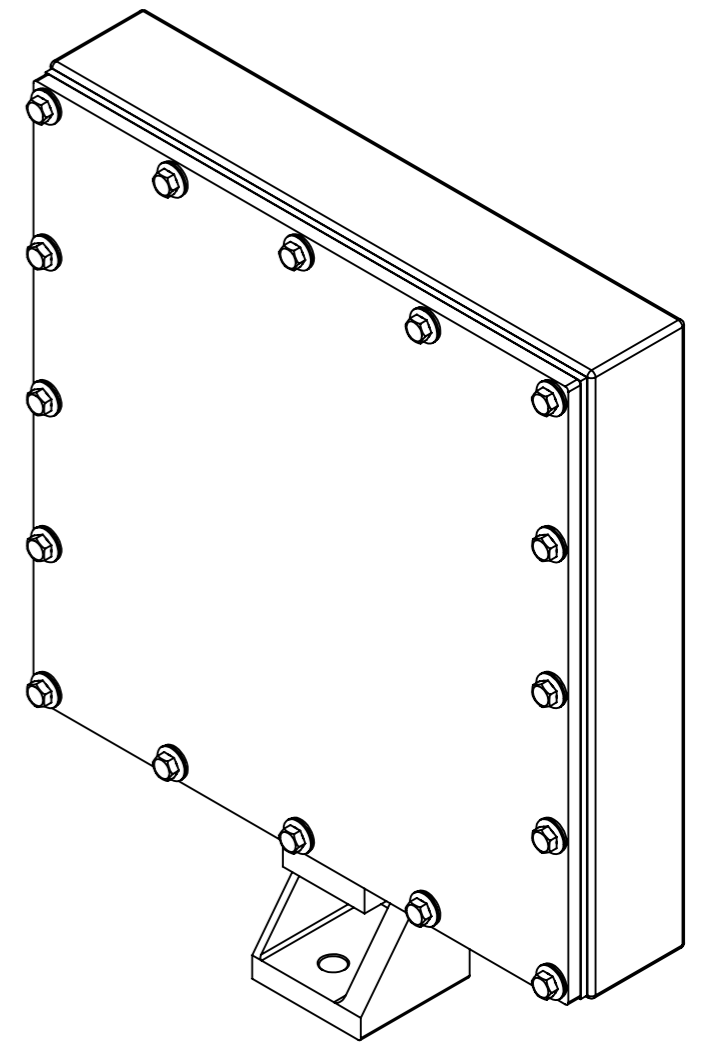


945 East 11th Avenue Tampa, FL 33605

Phone: (813) 984-0125

Contact: Sales@pyramidimaging.com

https://pyramidimaging.com



				UNLESS OTHERWISE SPECIFIED: DIMENSIONS ARE IN INCHES SURFACE FINISH: TOLERANCES: .000= +/- 0.005" .00= +/- 0.010"		FINISH: DEBUR AND BREAK SHARP EDGES		DO NOT SCALE DRAWING		REVISION	
				LINEAR:				Allison Park Group, Inc. (APG) 4055 Alpha Drive Allison Park, PA 15101 USA		This document is the property of APG and is considered company confidential. The information in this document is the property of APG and may not be used, reproduced, or distributed in whole or in part without the prior written permission of APG	
				DRAWN		NAME		Phone +1 (412) 487-8211 Fax +1 (412) 486-3157		TITLE:	
				SCHUBERT		SIGNATURE		www.apgvision.com		AV-AA ASSY DIMS (LARGE LED)	
				CHK'D		DATE		MATERIAL: 316 STAINLESS STEEL BODY		DWG NO.	
				APPV'D						AV-AA	
				MFG						A3	
				Q.A						SCALE: 1:5	
				NOTES:						SHEET 1 OF 1	
NO.	CHANGE	DATE	INIT.								