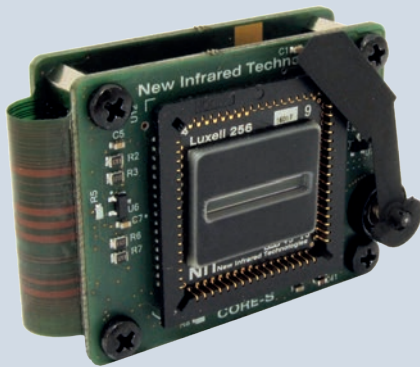


LUXELL CORE-S

LUXELL CAMERA-S (IP67)



LUXELL CORE-S front view



LUXELL CORE-S rear view



LUXELL CAMERA-S

Linear uncooled MWIR readout module with USB output

Affordable solution for direct integration in the production line (IP67-rated)

- ▶ Electronic plug-and-play readout module for linear LUXELL FPA 256 px (included)
- ▶ Resolution: 256 px (pixel size: 60 μm , pixel height: 600 μm)
- ▶ Band of detection: MWIR (1 - 5 microns)
- ▶ Peak wavelength of detection: 3.7 microns
- ▶ Integration time: 4 - 20 μs , selectable
- ▶ Minimum temperature of detection: 100 $^{\circ}\text{C}$
- ▶ Maximum scanning rate: 300 lines per second (@minimum integration time)
- ▶ Mechanical shutter for 1-pt offset
- ▶ Start-up time: < 5 seconds
- ▶ Communication interface: USB 2.0 full speed
- ▶ Data transmission: raw data, 14 bits
- ▶ Power: 1W (USB powered, 5 VDC, 200 mA)
- ▶ CORE-S dimensions (in mm) / weight (grams): 56.0 (L) x 44.5 (W) x 41.5 (H) / 60 g
- ▶ CAMERA-S mechanical housing:
 - ▶ Alluminum housing, with CS-mount optics interface, rear USB connector (industrial M12x1, mini-USB, IP67-rated), tripod screw hole and water block
 - ▶ Housing dimensions, in mm: 70.0 (L) x 72.5 (W) x 50.0 (H)
 - ▶ IP67-rated when assembled properly with IP67-rated lens
- ▶ CAMERA-S lens:
 - ▶ CS-mount, f=35 mm, F#1.1, FoV = 25 $^{\circ}$ (h) x 1 $^{\circ}$ (v) (detachable)
 - ▶ Field of Regard (@1m) = 440 mm(h) x 17 mm(v)
- ▶ CAMERA-S size with housing, water block and lens: 70.0 (L) x 131.5 (W) x 50.0 (H)
- ▶ CAMERA-S weight (grams): 400 g
- ▶ Software included:
 - ▶ NIT SOFTWARE SUITE (Acquisition and visualization SW), LabVIEW SDK
- ▶ Industrial applications: industrial welding process monitoring, laser manufacturing process monitoring, machine vision, spectroscopy, glass manufacturing



Industrial process control
(welding, cutting, etc)



Laser process
monitoring



Spectroscopy
and gas detection



Glass manufacturing
quality assurance

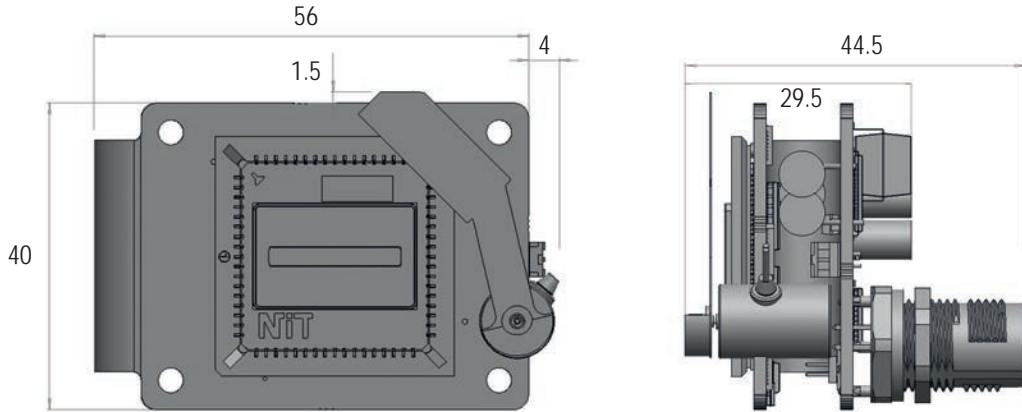


945 East 11th Avenue
Tampa, FL 33605
Phone: (813) 984-0125
Contact: Sales@pyramidimaging.com
<https://pyramidimaging.com>

New Infrared Technologies
Calle Vidrieros 30, Nave 2
28660 Boadilla del Monte, Madrid
SPAIN
www.niteurope.com

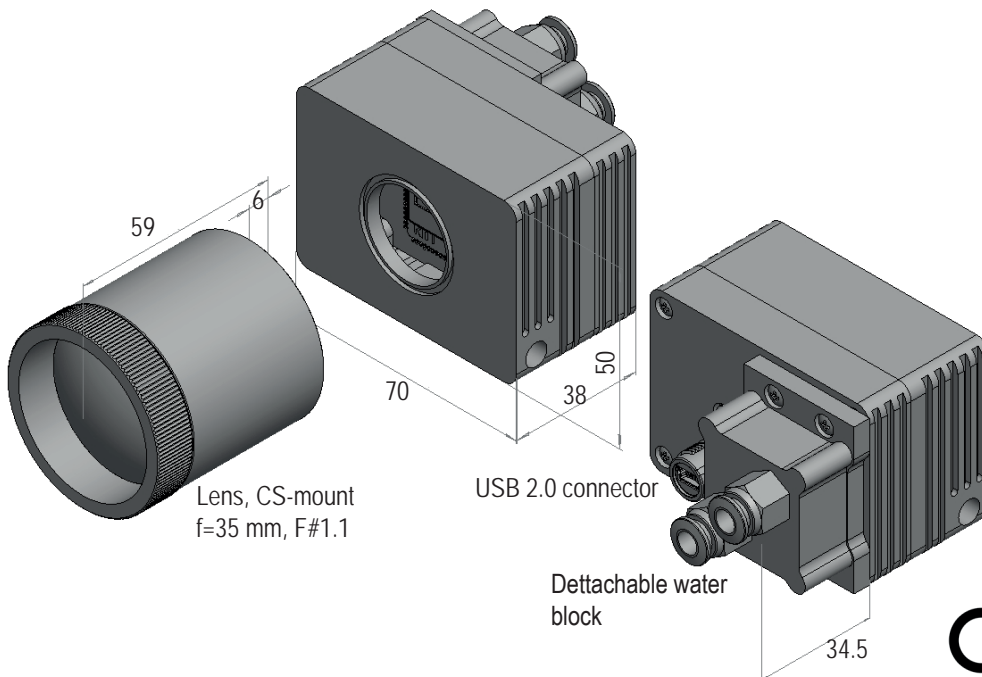
NIT
New Infrared
Technologies

LUXELL CORE-S module

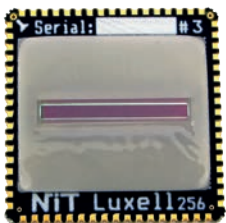


All dimensions in mm

LUXELL CAMERA-S (IP67)



LUXELL FPA



- ▶ FPA resolution: 256 pixels
- ▶ Uncooled operation
- ▶ Band of detection: MWIR (1 - 5 μm)
- ▶ Peak detection wavelength: 3.7 μm
- ▶ D^* (WLpeak) (typ): 2×10^9 Jones
- ▶ Silicon window with AR coating
- ▶ Response time: 2 μs
- ▶ Pixel size: $600 \times 60 \mu\text{m}^2$
- ▶ Pixel pitch: 60 μm
- ▶ Readout method: x-y multiplexed
- ▶ Readout electronics: not included (CORE-S compatible)
- ▶ Dimensions (mm): $24 \times 24 \times 2.2$
- ▶ Biasing voltage (typ): 5 V
- ▶ Pixel resistance (typ): 0.2 - 1.0 $\text{M}\Omega$
- ▶ Packaging: SMD / LCC68 footprint
- ▶ Pinout: 68 pins (32 in use)



Main facts

- ▶ Maximum added value and affordability
- ▶ Miniaturized compact size to ensure a full integration in the Industry 4.0 applications and Factories of the Future production lines

Typical applications

- ▶ Industrial manufacturing process control (welding, cutting, etc.)
- ▶ Laser process monitoring
- ▶ Gas and flame detection
- ▶ Machine vision
- ▶ Spectroscopy
- ▶ OEM integration

Industries of use

- ▶ Automotive industry
- ▶ Home appliance manufacturing
- ▶ Metallurgy and steel industry
- ▶ Petrochemical industry



945 East 11th Avenue
Tampa, FL 33605
Phone: (813) 984-0125
Contact: Sales@pyramidimaging.com
<https://pyramidimaging.com>

New Infrared Technologies
Calle Vidrieros 30, Nave 2
28660 Boadilla del Monte, Madrid
SPAIN
www.niteurope.com

NIT
New Infrared
Technologies