

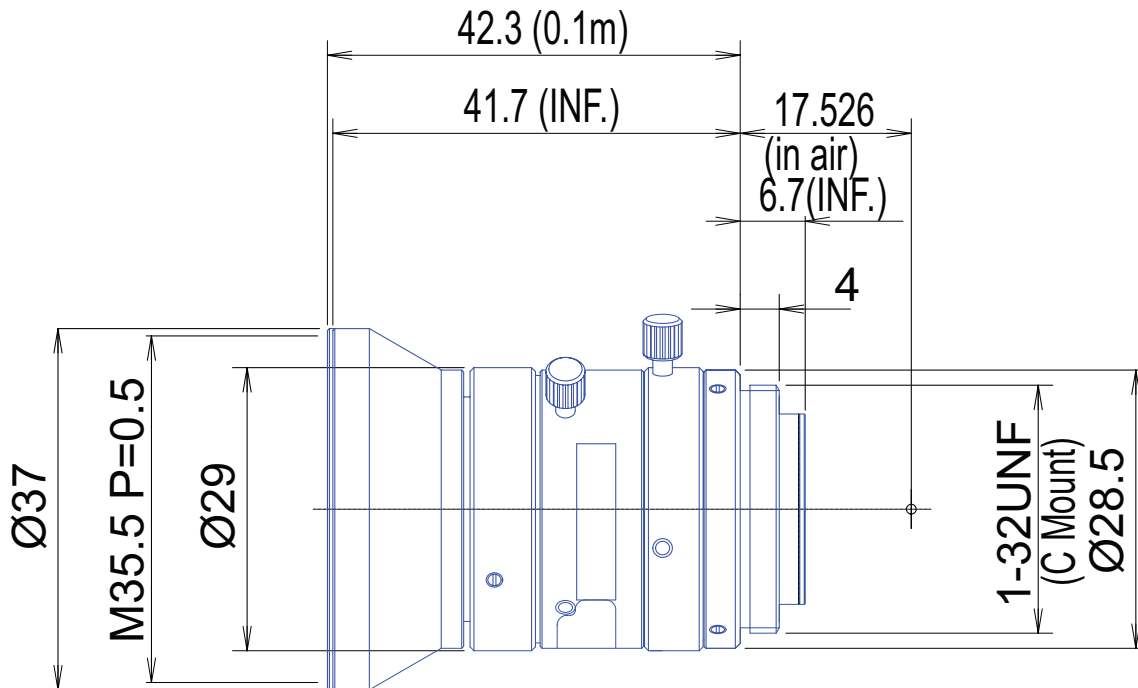
5 MP 4/3"

## GM5HR128024MCN

[www.GoyoLenses.com](http://www.GoyoLenses.com)

[Info@GoyoLenses.com](mailto:Info@GoyoLenses.com)

1-630-566-0580



Part No.	GM5HR128024MCN
Focal Length	8mm
Iris Range	f/2.4 - 16
Lens Format	4/3"
MOD	100mm
Mount	C
Filter Thread	M35.5 x P0.5
Angle of View	70.3° x 54.9°
Weight	90g
Dimension (DxL)	Ø37 x 43



945 East 11<sup>th</sup> Avenue Tampa, FL 33605

Phone: (813) 984-0125

Contact: [Sales@pyramidimaging.com](mailto:Sales@pyramidimaging.com)

<https://pyramidimaging.com>