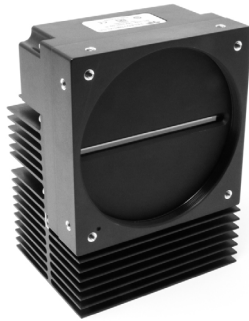


## Linea HS

8K and 16K Monochrome / HDR CMOS TDI Camera



# Advanced High-Speed, High-Sensitivity TDI Camera

Based on Teledyne DALSA's industry leading CMOS TDI technology, the new Linea HS™ cameras are the most advanced TDI products in the marketplace. These cameras deliver the highest performance available, with unique features—including high dynamic range (HDR)—that significantly improve detectability for many demanding applications. The cameras come with the next-generation CLHS interface, delivering up to 8.4 Gigapixels per second over a single fiber optic cable (with error correction).

### Specifications

Resolution	8,192 x 192 pixels 16,384 x 192 pixels
Line Rate	300 kHz maximum
Pixel Size	5 μm x 5 μm
Data Format	8 or 12 bits, selectable
Output	Monochrome / HDR
Lens Mount	M58 x 0.75 (8K) M90 x 1 (16K)
Responsivity	See graph
Dynamic Range	70 dB
Nominal Gain Range	1x to 10x
Size	76 mm x 76 mm x 85 mm (8K) 97 mm x 140.5 mm x 78.6 mm (16K)
Mass	< 500 g (8K) 1.2 kg (16K)
Operating Temp	0 °C to +65 °C (front plate)
Power	+12 V to +24 V DC, Hirose 12-pin
Power Dissipation	18 W (8K) 30 W (16K)
Control & Data	Camera Link HS, CX4
GPIO	Direction and line control
Regulatory Compliance	CE, FCC, and RoHS

#### Key Features

- High speed: up to 300 kHz
- High sensitivity
- High dynamic range (HDR)
- Up to 100 m optical cable length

#### Programmability

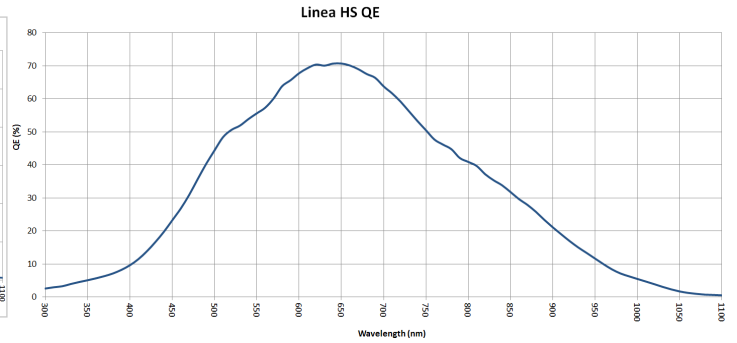
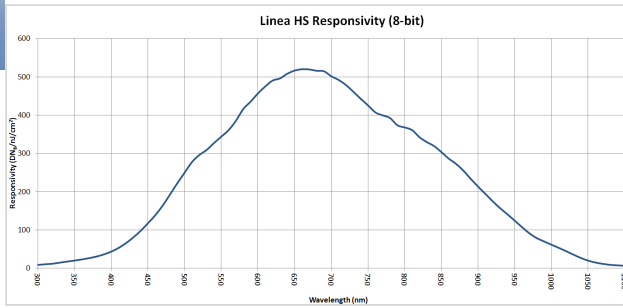
- Multiple regions and areas of interest
- 8 or 12 bit output
- Flat field and lens shading correction
- Programmable coefficient sets
- GenICam™ compliant interfacing
- Rapid coefficient changes

#### Typical Applications

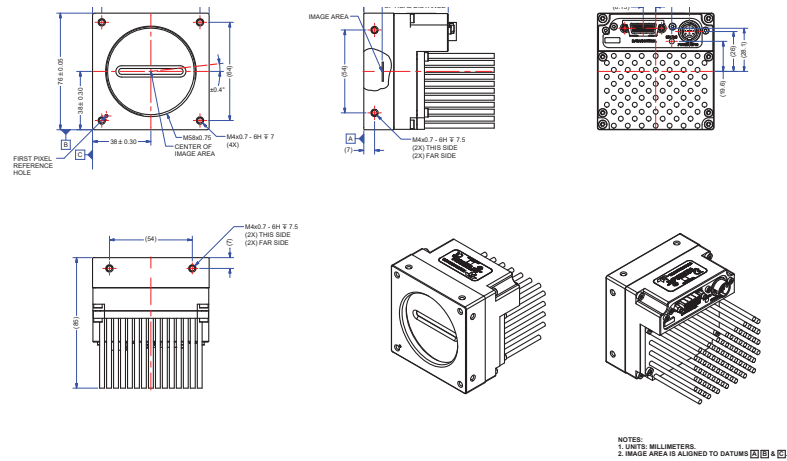
- Flat panel inspection
- Digital pathology
- Printed circuit board inspection

Linea HS Camera Models

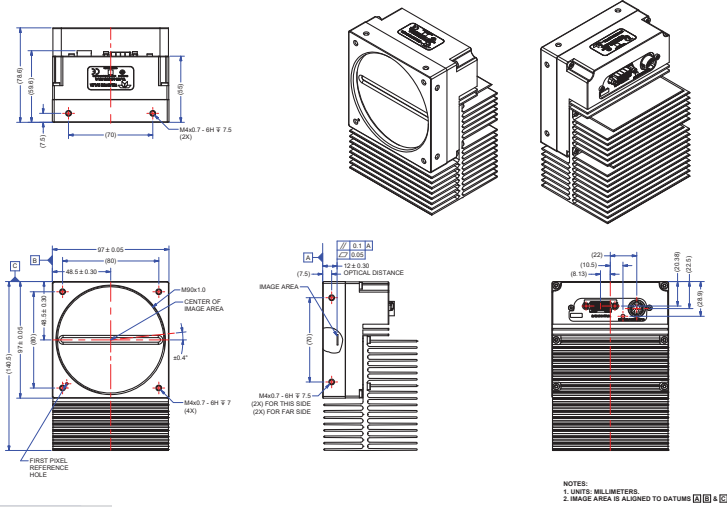
Part Number	Resolution	Max Line Rates	Pixel Size	Output
HL-HM-08K30H-00-R	8,192 x 192 (128 + 64)	300 / 150 kHz x 2	5 μm x 5 μm	Monochrome / HDR
HL-HM-16K30H-00-R	16,384 x 192 (128 + 64)	300 / 150 kHz x 2	5 μm x 5 μm	Monochrome / HDR



8K model



16K model



Pyramid Imaging, Inc.  
 945 East 11th Avenue  
 Tampa, FL 33605  
<https://pyramidimaging.com>  
[Sales@pyramidimaging.com](mailto:Sales@pyramidimaging.com)  
 (813) 984-0125