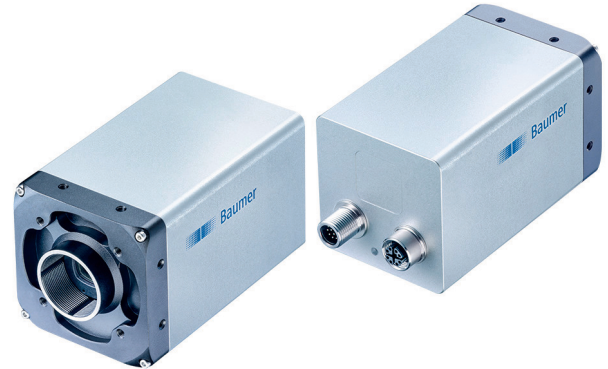


overview

- 4096 × 2160 px
- Sony IMX255
- 1" CMOS
- 95 fps
- 10 GigE
- available



technical data

sensor information

sensor	Sony IMX255
resolution	4096 × 2160 px
exposure time	0,001 ... 60000 ms
pixel size	3.45 × 3.45 µm
shutter type	Global shutter
sensor type	1" CMOS

acquisition formats

image formats, interface frame rate max.	Full Frame, 4096 × 2160 px, max. 95 fps Binning 2×2, 2048 × 1080 px, max. 95 fps Binning 2×1, 2048 × 2160 px, max. 95 fps Binning 1×2, 4096 × 1080 px, max. 95 fps
--	---

image formats, acquisition frame rate max. (Burst Mode)	Full Frame, 4096 × 2160 px, max. 95 fps
---	---

pixel formats	BayerRG8 BayerRG10 BayerRG12 BayerRG12 Packed Mono8 Mono10 Mono12 Mono12 Packed RGB8 BGR8
---------------	--

image preprocessing

analog controls	Gain (0 ... 48 dB) Offset (0 ... 255 LSB 12 Bit)
-----------------	---

image preprocessing

color models	Mono Raw Bayer RGB BGR
--------------	---------------------------------

camera features

synchronization	free running trigger
trigger sources	Hardware software ActionCommand
trigger delay	0 ... 2 sec, tracking and buffering of up to 256 trigger signals
internal image buffer	1024 MB 109 images (Trigger Mode) 1 image (Free Running Mode)

interfaces and connectors

data interface	10 Gigabit Ethernet, Transfer rate 10000 Mbits/sec, Gigabit Ethernet, Transfer rate 1000 Mbits/sec, Fast Ethernet, Transfer rate 100 Mbits/sec, Connector: M12 / 8-pol x-coded (SACC-CI-M12FS-8CON-L180-10G)
process interface	M12 / 12 pins a-coded (SACC-CI-M12MS-12CON-L180)
power supply	via M12/12 pins a-coded

mechanical data

lens mount	C-mount
width	60 mm
height	60 mm

technical data

mechanical data

depth	99,7 mm
weight	≤ 485 g
material	aluminum

electrical data

voltage supply range +Vs	12 ... 24 V DC (external power supply)
power consumption	approx. 10,8 W @ 12 VDC and 95 fps

non-volatile memory

flash memory size	128 kB
-------------------	--------

environmental conditions

operating temperature	0 ... +65 ° @ T = measurement point
humidity	10 ... 90 % (non-condensing)
protection class	IP 40 IP 54 (with mounted tube and cable) IP 65 (with mounted tube and cable) IP 67 (with mounted tube and cable)

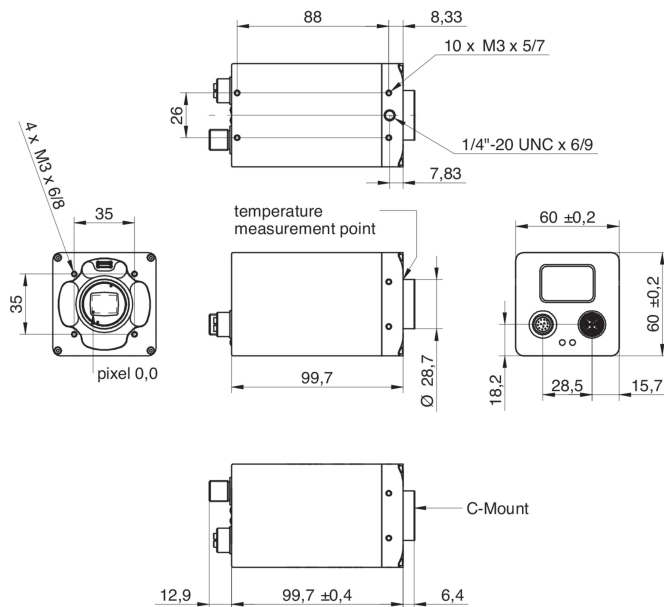
digital I/Os

lines	2 input lines 4 output lines with pulse width modulation (PWM) (max. 48 V / max. 2,5 A) RS232
-------	---

conformity

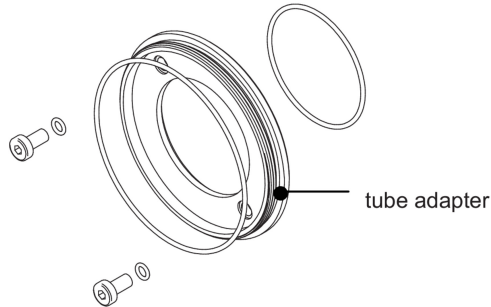
conformity	CE RoHS EAC
------------	-------------------

dimension drawing

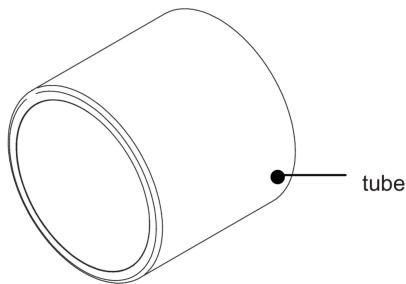


Principle

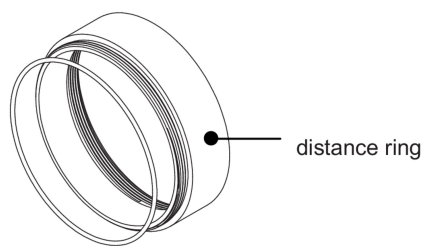
Optional accessories for protection class IP65/67:



- tube adapter
- Ø 65 mm, length 5,25 mm, hard-anodized, incl. sealing and screws (11185377)



- tube
- Ø 65 mm, length 58 mm, hard-anodized, cover glass PMMA (11185374)
 - Ø 65 mm, length 58 mm, hard-anodized, tempered laminated safety glass (11195426)



- distance ring
- Ø 65 mm, length 12 mm, hard-anodized, incl. sealing (11185375)
 - Ø 65 mm, length 6 mm, hard-anodized, incl. sealing (11185376)



Pyramid Imaging Inc
945 East 11th Avenue
Tampa, FL 33605
<https://pyramidimaging.com>
Sales@pyramidimaging.com
(813) 984-0125