

Strobe, 1Ch, 8A, PAD1 1141/8 External 0-10 V control

This package consists of:

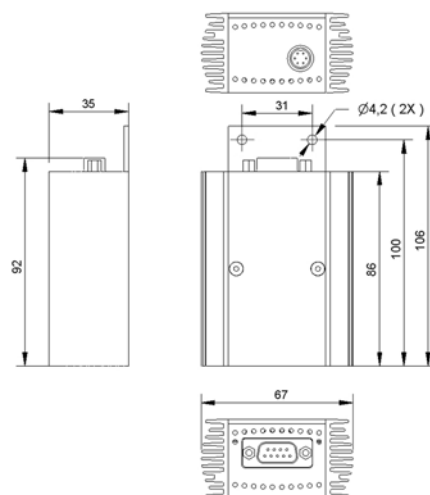
PAD1 1141/8, Strobe control unit
LKA1 1141 Power/Control/Trigger cable



Specifications	
Voltage supply	24V DC ($\pm 10\%$)
Current requirement	max. 1A
Protection class	IP30
Operation temperature	0°C ... +65 °C
Storage temperature	-40°C...+80 °C
Storage humidity	max. 80%
Power output	max. 8A
Light intensity	0 to 100%
Strobe pulse length	50 to 1500 μ s

Warning!

Do not connect to other than 24 V DC




Power cable		
Red	24 VDC	Pin 1, 2
Black	0 V	Pin 3, 4
Control cable		
White	0-10V	Pin 7
Brown	0V	Pin 4
Trigger cable		
White	Trigger +	Pin 8
Brown	Trigger -	Pin 9

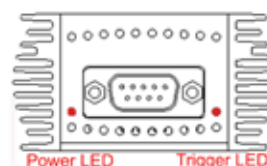
Trigger input: Optical isolated
Trigger range: 5-24VDC, 20mA

Light head connector:

Pull back the spring-loaded housing before connecting and disconnecting.

Copyright © 2009 LAT elektronik AB • www.latab.se
Member of the Polytec organization 

LED indication



LAT elektronik AB
Krossgatan 18
SE-162 50 Vällingby
Sweden
Phone +046 8704 9225 • e-mail: info@latab.se

Adjustment:

Open the units by unscrewing top cover.

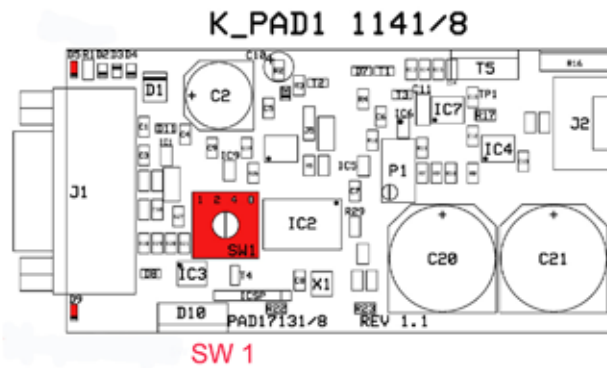


Table for strobe pulse width setting

SW1	µsec	SW1	µsec
0	50	8	600
1	100	9	700
2	150	A	800
3	200	B	900
4	250	C	1000
5	300	D	1100
6	400	E	1200
7	500	F	1500

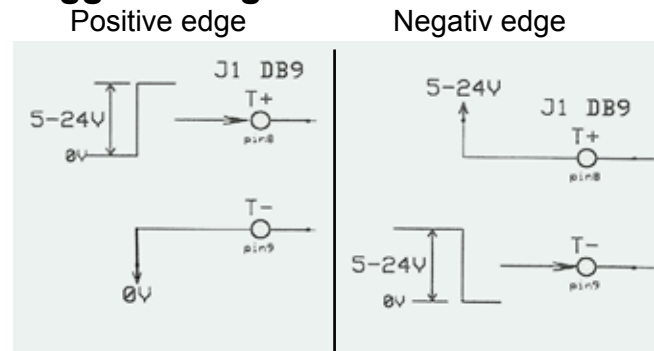
Light intensity:

The light intensity is controlled by an external voltage signal from 0V to 10V applied on pin 5 and zero voltage on pin 4
LATAB recomend to reduce the light intensity as much as possible to increase lifetime.

Pulse width, SW1:

The strobe pulse width can be set from 50 to 1500 µsec by SW1. See table.
Factory preset to 1500 µsec.

Trigger configuration



EMC compatibility:

This product, PAD1 1141/8 follow the EG-directive for EMC-compatibility, 897336, additional 9321/EEG and 93/86/EEG