

## Steady State, 2Ch, 1A, PAD2 1235/1

### This package consists of:

PAD2 1235/1, Steady State control unit  
LKA1 1231 Power /Trigger cable, 5m

Specifications	
Voltage supply	24VDC (±10%)
Current requirement	max. 2.5A
Protection class	IP30
Operation temperature	0°C ...+65 °C
Storage temperature	-40°C....+80 °C
Storage humidity	max. 80%
Power output	max. 1A / channel
Light intensity	0 to 100%

### Warning!

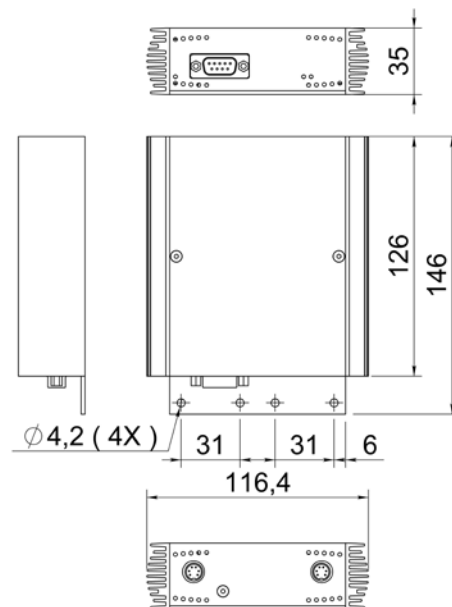
Do not connect to other than 24 V DC

Power/trigger cable			
Red	24 VDC	Pin 1, 2	
Black	0 V	Pin 3, 4	
Ch 1. White	Trigger +	Pin 6	
Ch 1. Brown	Trigger -	Pin 7	
Ch 2 White	Trigger +	Pin 8	
Ch 2 Brown	Trigger -	Pin 9	

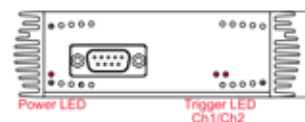
Trigger input: Optical isolated  
Trigger range: 5-24VDC, 20mA

### Light head connector:

Pull back the spring-loaded housing before connecting and disconnecting.

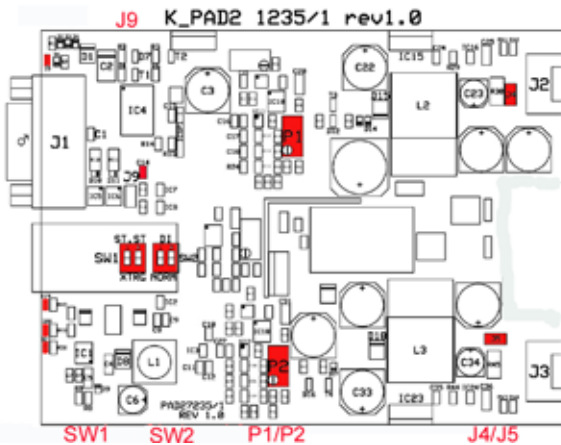


### LED indication



### Adjustment:

Open the units by unscrewing top cover.



### Light intensity, P1-P2:

Turning P1 or P2 anti-clockwise will decrease the light intensity.

Default value: 100%.

LATAB recommend to reduce the light intensity as much as possible to increase lifetime.

360 degr (1 turn) is equal to about 5%.

### Current measurement, J3:

The output current (light intensity) can be measured by connecting a voltmeter to "J4, J5". 100mV is equal to 1A.

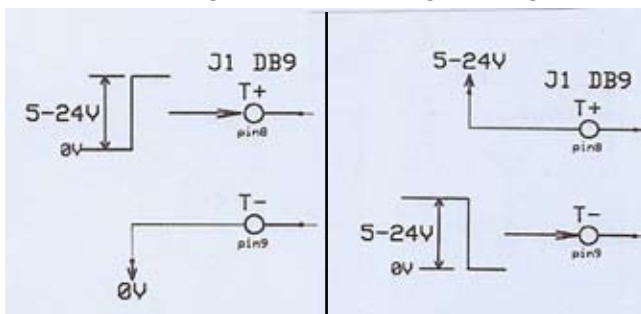
For example:

A voltage of 30mV correspond to a current of 300mA.

### Trigger configuration

Positive edge

Negativ edge



### Long flash mode.

This control unit can be remotely controlled, ON/OFF, by using long flash (LF) mode, turning ON and OFF the light by an external (trig) signal. As long as a external signal is on the light is on and when the external signal is of the light is off. By using this mode both energy and the life time of the leds are saved.

### 200% light intensity

At long flash mode it is possible to extend the light intensity to 200%.

At double intensity, 200% (DI) mode, the maximum ON-time is five seconds after which the controller automatically turns OFF the light heads for five seconds.

This cooling state is indicated by flashing the Power LED.

### External (trig) signal.

To use 200% light intensity an external signal is needed for turn light ON and OF

Installing jumper J9 will enable both channels to be triggered simultaneously using either one of the trigger inputs

### Long Flash, LF mode setting, SW1

SW1 = ON = Normal steady state mode  
SW1 = OFF = External trigg, Long Flash

### Double intensity, DI setting, SW2

SW2 = ON = DI mode (200%)  
SW2 = OFF = Normal intensity (100%)

### Channal settings

SW1/2-1=Channel 1

SW1/2-2=Channel 2

### EEC compatibility:

This product, PAD2 1235/1 follow the EG-directive for EMC-compatibility, 89/7336, additional 93/21/EEG and 93/86/EEG