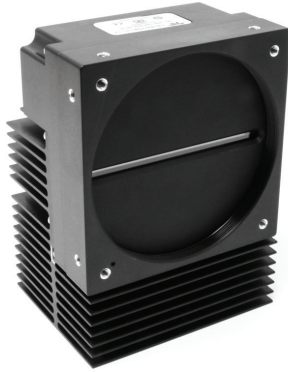


Linea™ HS

8K and 16K Monochrome / HDR CMOS TDI Camera



Key Features

- » High speed: up to 300/400 kHz
- » High sensitivity
- » High dynamic range (HDR)
- » Up to 100 m optical cable length

Programmability

- » Multiple regions and areas of interest
- » 8 or 12 bit output
- » Flat field and lens shading correction
- » Programmable coefficient sets
- » GenICam™ compliant interfacing
- » Rapid coefficient changes

Typical Applications

- » Flat panel inspection
- » Digital pathology
- » Printed circuit board inspection

Advanced High-Speed, High-Sensitivity TDI Camera

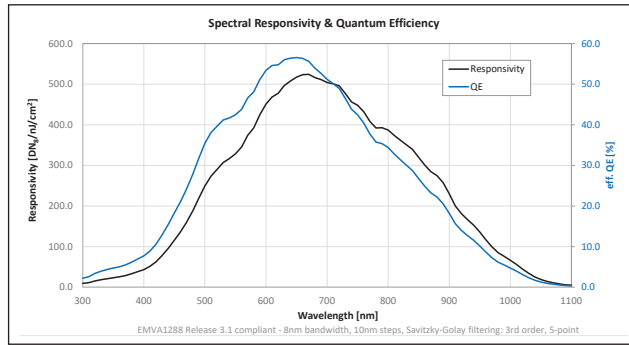
Based on Teledyne DALSA's industry leading CMOS TDI technology, the new Linea HS™ cameras are the most advanced TDI products in the marketplace. These cameras deliver the highest performance available, with unique features—including high dynamic range (HDR)—that significantly improve detectability for many demanding applications. The cameras come with the next-generation CLHS interface, delivering up to 8.4 Gigapixels per second over a single fiber optic cable (with error correction).

Specifications

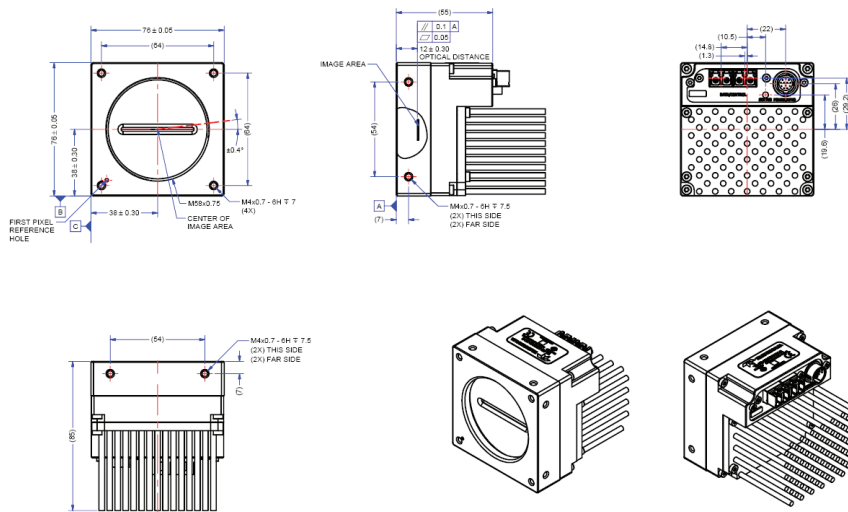
Resolution	8,192 x 192 pixels (8K) 16,384 x 192 pixels (16K)
Line Rate	300/400 kHz maximum
Pixel Size	5 μm x 5 μm
Data Format	8 or 12 bits, selectable
Output	Monochrome / HDR
Lens Mount	M58 x 0.75 (8k) M90 x 1 (16k)
Responsivity	See graph
Dynamic Range	70 dB
Nominal Gain Range	1x to 10x
Size	76 mm x 76 mm x 85 mm (8k) 97 mm x 140.5 mm x 78.6 mm (16k)
Mass	< 500 g (8k) 1.2 kg (16k)
Operating Temp	0 °C to +65 °C, front plate
Power	+12 V to +24 V DC, Hirose 12-pin
Power Dissipation	18 W (8K) 30 W (16K)
Control & Data	Camera Link HS, CX4/LC
GPIO	Direction and independent line control
Regulatory Compliance	CE, FCC, and RoHS

Camera Model

Part Number	Resolution	Max. Line Rates	Pixel Size	Output
HL-FM-08K30H-00-R	8,192 x (128 +64)	280 kHz /140 kHz x 2	5 μm x 5 μm	Mono / HDR
HL-HM-08K30H-00-R	8,192 x (128 + 64)	300 kHz /150 kHz x 2	5 μm x 5 μm	Mono / HDR
HL-HM-08K40H-00-R	16,384 x (128 +64)	400 kHz /200 kHz x 2	5 μm x 5 μm	Mono / HDR
HL-FM-16K15A-00-R	16,384 x 128	143 kHz	5 μm x 5 μm	Mono
HL-HM-16K30H-00-R	16,384 x (128 + 64)	300 kHz /150 kHz x 2	5 μm x 5 μm	Mono / HDR
HL-HM-16K40H-00-R	16,384 x (128 + 64)	400 kHz /200 kHz x 2	5 μm x 5 μm	Mono / HDR

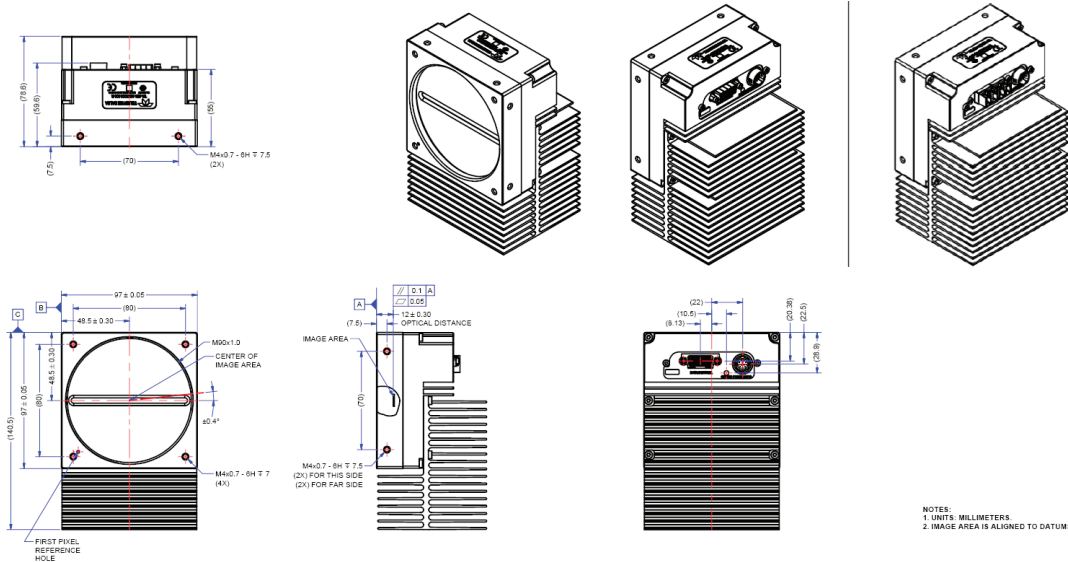


8k Model



NOTES:
1. UNITS: MILLIMETERS.
2. IMAGE AREA IS ALIGNED TO DATUMS A, B & C.

16k Model



NOTES:
1. UNITS: MILLIMETERS.
2. IMAGE AREA IS ALIGNED TO DATUMS A, B & C.