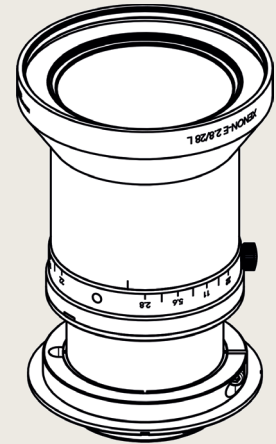


# Xenon-Emerald 2.8/28

Large format 28 mm focal length lens covering up to 43.2 mm image circle, optional with V48-Mount or F-Mount developed for cameras with 29 megapixel sensors.

Optimized versions for close-up range (S) or infinity (L) distinguish a low distortion for a high optical quality over the entire image field of 43.2 mm ideal for scanning. Usable for VIS range to NIR as needed for web inspection. The robust and compact housing with lockable focus and iris setting makes this lens ideal for sorting systems in factory environmental.



Xenon-Emerald 2.8/28

## Key features

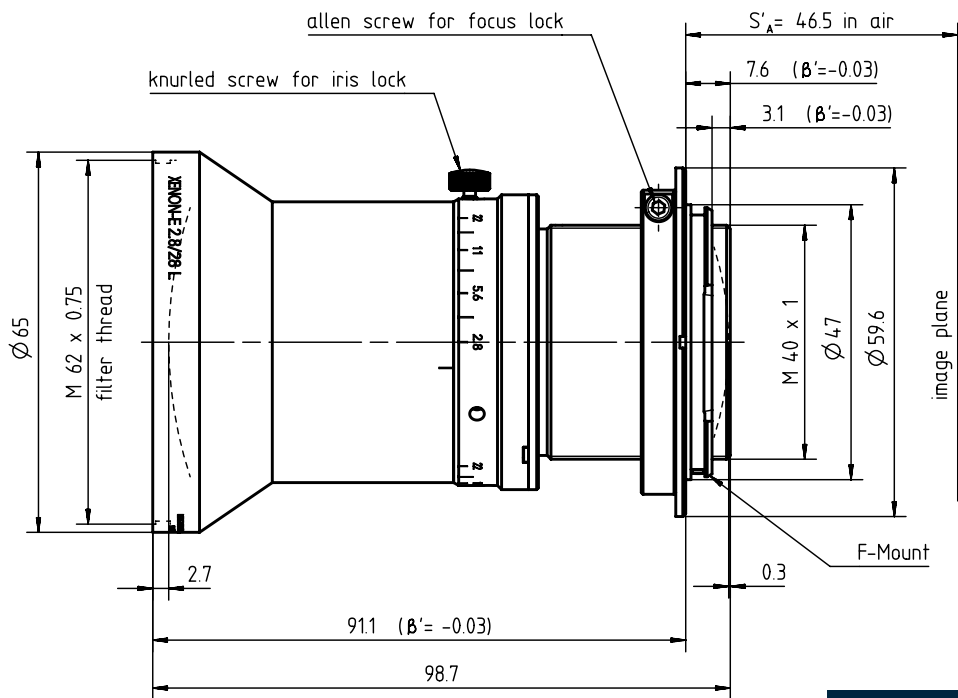
- For large sensors up to 43.2 mm diagonal
- With V48-Mount or F-Mount available
- Optimized version for close-up range (S) or infinity (L)
- Lockable focus and iris setting
- 400 nm to 1000 nm broadband AR coating

## Applications

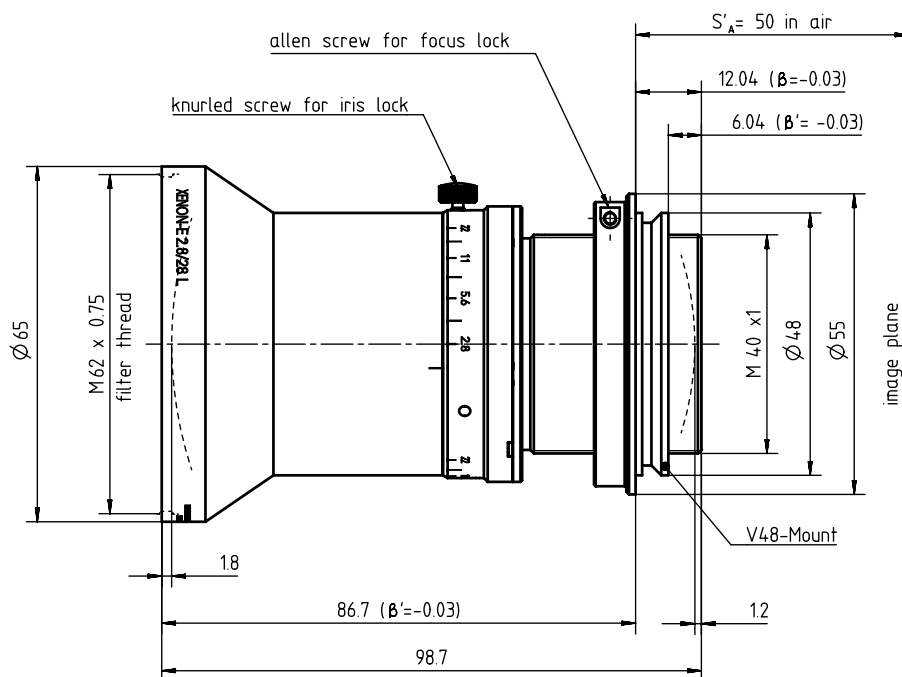
- Web inspection
- Scanner
- Logistic
- Sorting systems

Name	Xenon-Emerald 2.8/28
Type	-0003   -0006   -0007   -0008
Focal Length [mm]	28
Magnification	-0.1
Image circle [mm]	43.2
Resolution [ $\mu\text{m}$ ]	6.45
F/# range	2.8 ... 22
NA	0.18
Interface	F-Mount   V48-Mount
Working distance [mm]	564
AoV [°]	74
Focus control	manual
Transmission [nm]	400 - 1000
Filter thread [mm]	M62 x 0.75
Dimensions L x D [mm]	98.7 x 65.0

Name	Xenon-Emerald 2.8/28
Weight [g]	516
Storage temp. [°C]	-25 ... +70
$f'_{\text{eff}}$ [mm]	28.77
$S_F$ [mm]	19.96
$S'_{F'}$ [mm]	37.84
HH' [mm]	56.45
$\beta'_P$	3.644
$S_{EP}$ [mm]	37.85
$S'_{AP}$ [mm]	-66.86
$\Sigma d$ [mm]	96.09
ID F-Mount (L)	1071606
ID F-Mount (S)	1071609
ID V48-Mount (L)	1071610
ID V48-Mount (S)	1071611

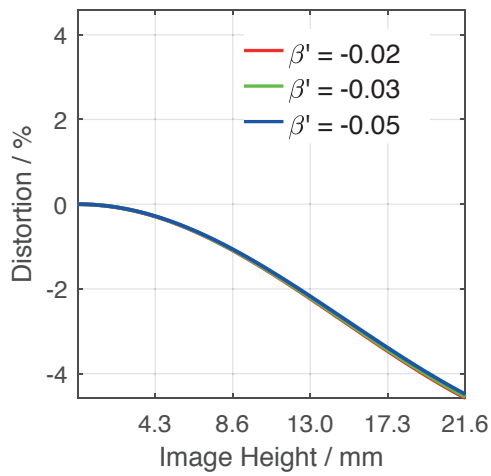


F-Mount

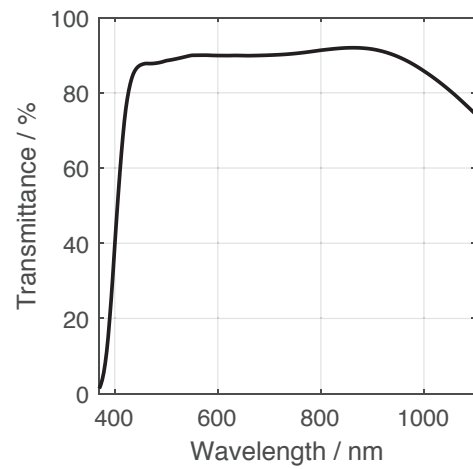


V48-Mount

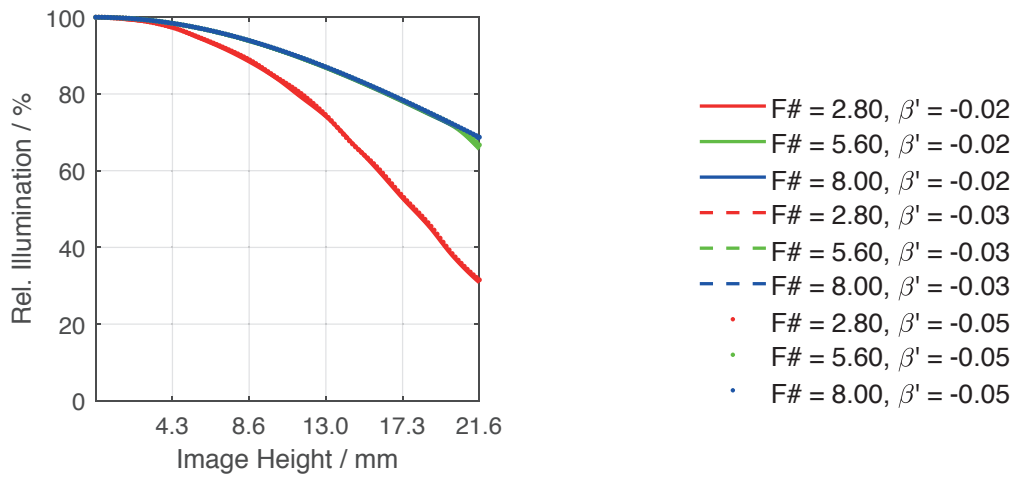
Distortion vs. Image Height



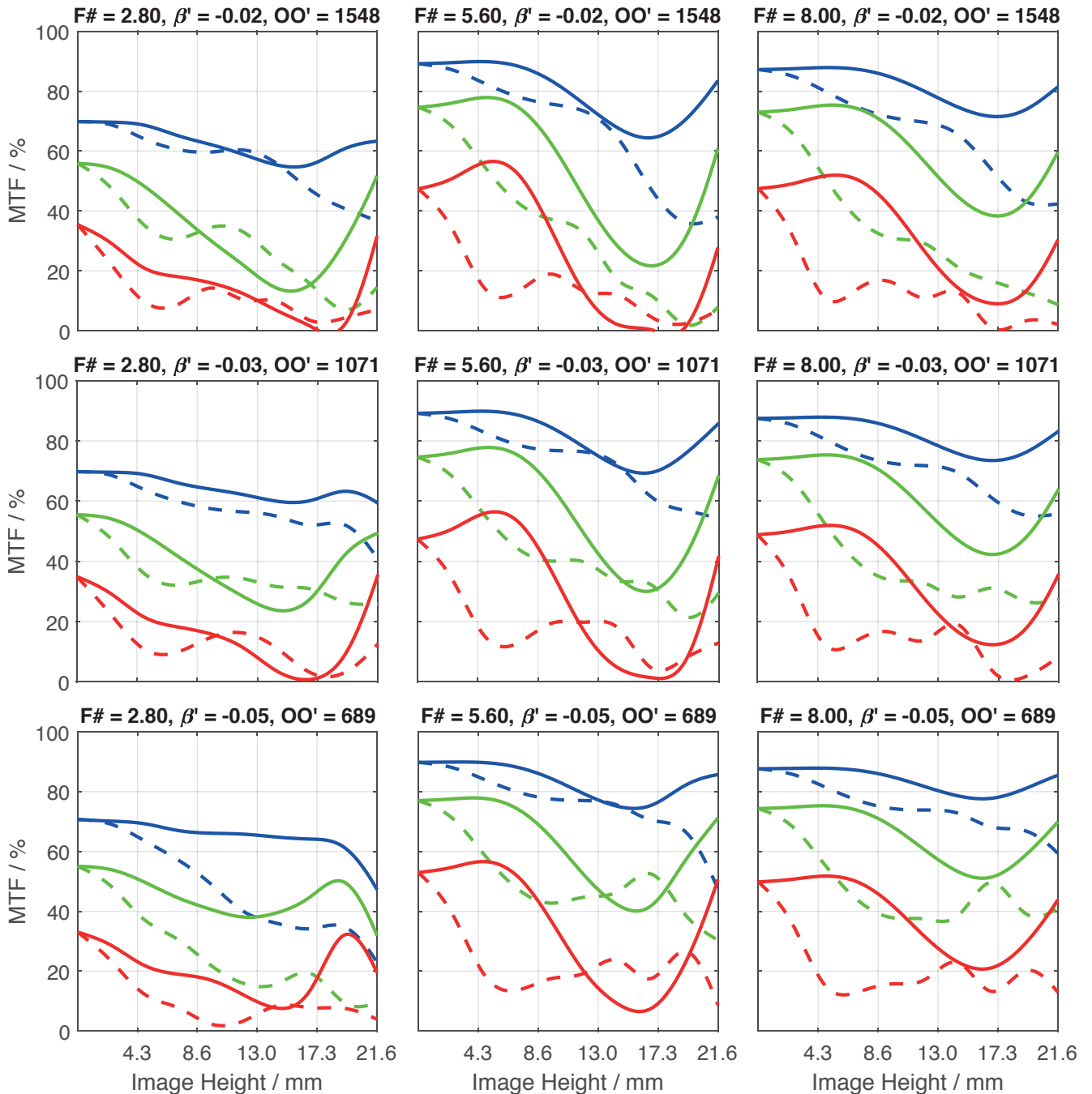
Transmittance vs. Wavelength



Relative Illumination vs. Image Height



Spectrum Name	VIS					
Wavelengths [nm]	425	475	525	575	625	675
Weights	8	16	23	22	19	13



- 20.0 lp/mm, tangential      - - - 40.0 lp/mm, tangential      - - - 80.0 lp/mm, tangential
- 20.0 lp/mm, radial      — 40.0 lp/mm, radial      — 80.0 lp/mm, radial

Accessories	Mount	Length	ID
Adapter	V 48 / C-Mount	-	25081
	V 48 / M 42 x 1	-	1075817
	V 48 / M 42 x 0.75	-	1077013
	V 48 / M 58 x 0.75	-	1075556
Ext. Tube	V 48	10 mm	1072661
	V 48	25 mm	1072651
	V 48	50 mm	1072662

# Get more information

Contact our local offices



## Headquarter Germany

Jos. Schneider Optische Werke GmbH  
Ringstraße 132  
55543 Bad Kreuznach  
☎ +49 671 601 205  
✉ [cs@schneiderkreuznach.com](mailto:cs@schneiderkreuznach.com)  
[www.schneiderkreuznach.com](http://www.schneiderkreuznach.com)

## Offices Worldwide

### China

☎ +86 755 8832 1170  
✉ [shawn.liu@schneider-asiapacific.com](mailto:shawn.liu@schneider-asiapacific.com)

### North America

☎ +1 800 645 7239 (East Coast)  
☎ +1 800 228 1254 (West Coast)  
✉ [info@schneideroptics.com](mailto:info@schneideroptics.com)

### Singapore

☎ +65 9488 0062  
✉ [thongv@schneiderkreuznach.com](mailto:thongv@schneiderkreuznach.com)



Pyramid Imaging Inc.  
945 East 11th Avenue  
Tampa, FL 33605  
<https://pyramidimaging.com>  
[Sales@pyramidimaging.com](mailto:Sales@pyramidimaging.com)  
(813) 984-0125