

Compact C-Mount anti-shading lenses for up to 12 megapixel 1.3" sensor with lenslet on the pixel. This 20 mm focal length lens covers an image circle of 24 mm, which enables to achieve a large field of view at a short working distance.

The lockable focus and iris setting, a robust housing and the 400 nm to 1000 nm broadband AR coating makes this lens ideal for measurement applications in factory automation.

The series of anti-shading lenses for 1.3" sensor is completed with lenses of 16 mm, 24 mm, 35 mm and 50 mm focal length.



Apo-Xenoplan 2.0/20

Key features

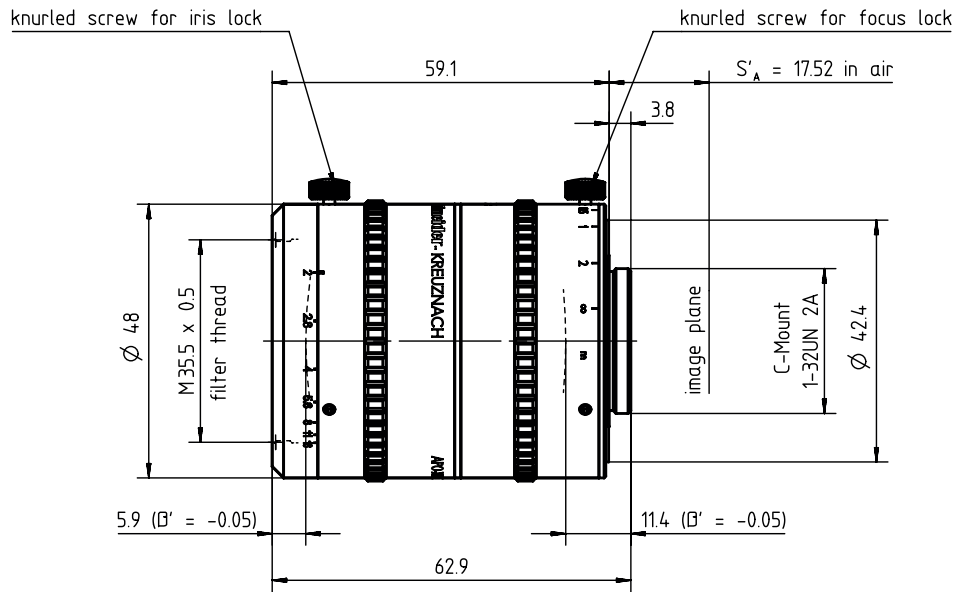
- Anti-shading lens for up to 1.3" 12 megapixel sensor with lenslet
- Covers 24 mm image circle
- 400 - 1000 nm broadband AR coating
- Focus and iris setting lockable

Applications

- 3D measurement
- 2D measurement
- Metrology

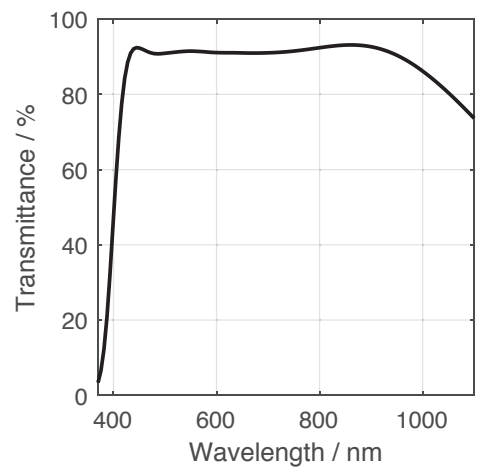
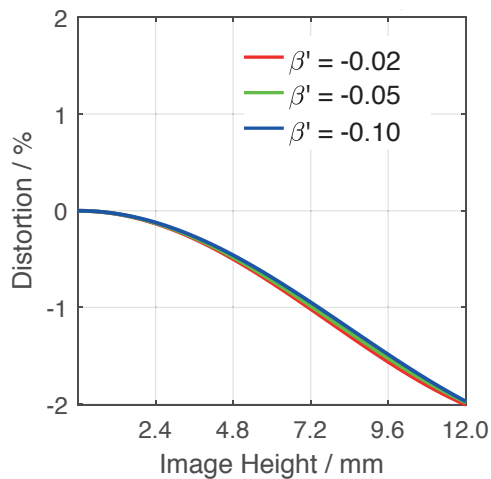
Name	Apo-Xenoplan 2.0/20
Type	-0003
Focal Length [mm]	20.52
Magnification	-0.1
Image circle [mm]	24
Resolution [μm]	3.65
F/# range	2.00 ... 16
NA	0.25
Interface	C-Mount
Working distance [mm]	1015.80
AoV [$^\circ$]	60.67
Focus control	manual
Transmission [nm]	400 - 1000
Filter thread [mm]	M35.5 x 0.5
Dimensions L x D [mm]	59.1 x 48.0

Name	Apo-Xenoplan 2.0/20
Weight [g]	450
Storage temperature [$^\circ\text{C}$]	-25 ... +70
f'_{eff} [mm]	20.52
S_F [mm]	5.62
$S'_{F'}$ [mm]	24.36
HH' [mm]	23.37
β'_P	2.969
S_{EP} [mm]	12.53
S'_{AP} [mm]	-36.75
Σd [mm]	45.68
ID	1056472

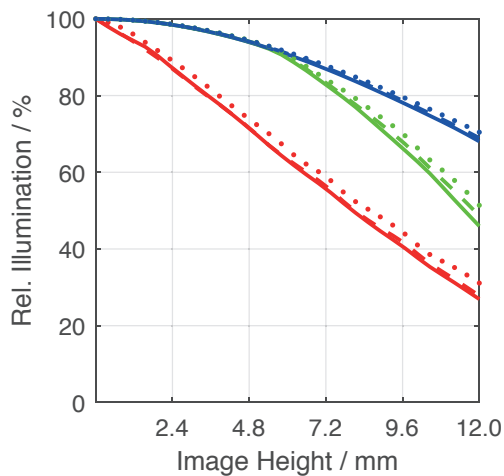


Distortion vs. Image Height

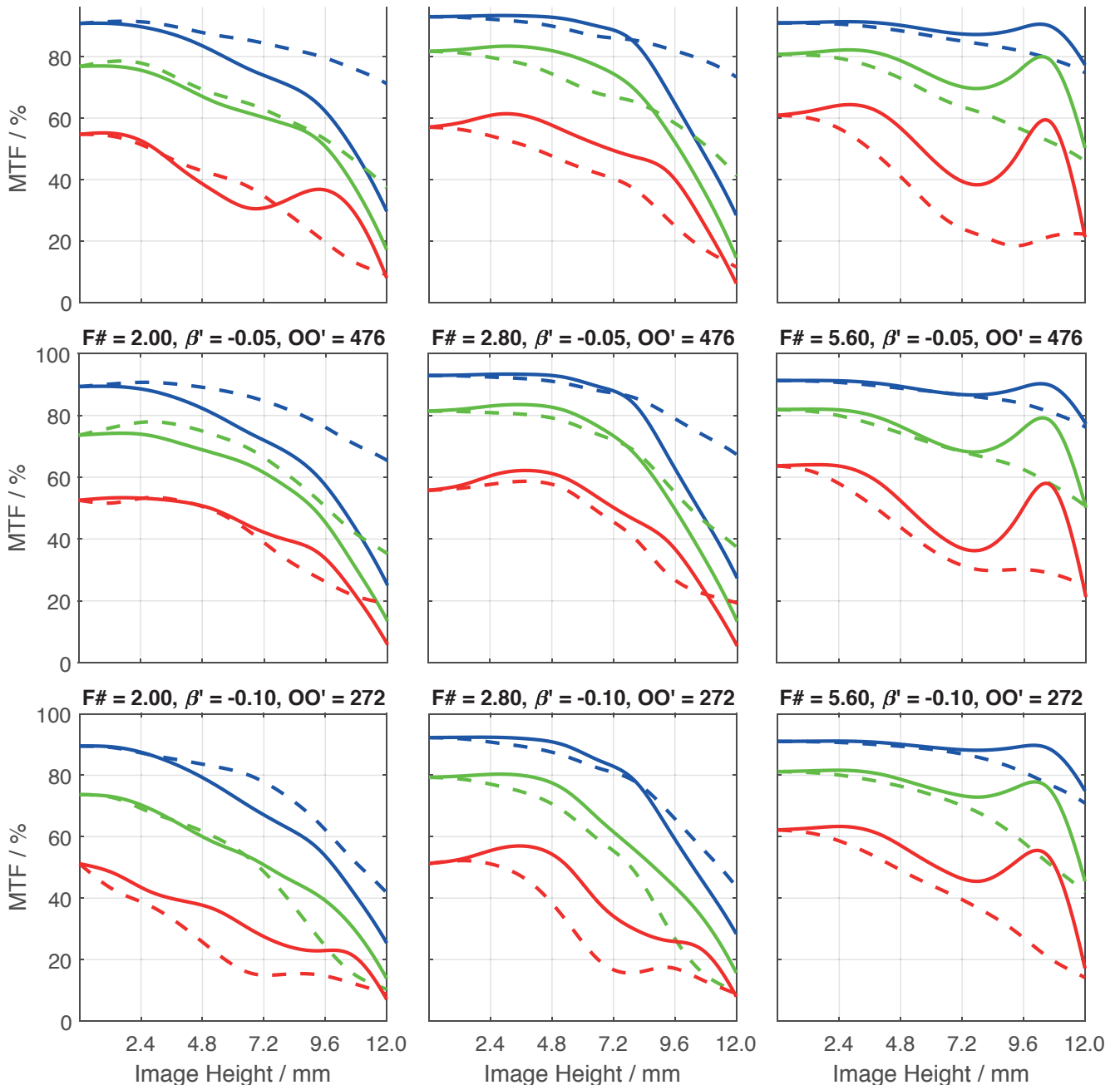
Transmittance vs. Wavelength



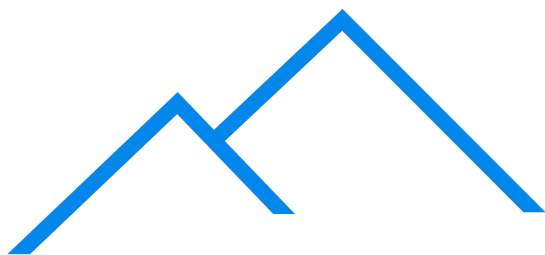
Relative Illumination vs. Image Height



Spectrum Name	VIS					
Wavelengths [nm]	425	475	525	575	625	675
Weights	8	16	23	22	19	13



Accessories	Mount	Length	ID
Adapter	CS-Mount Adapter	5 mm	25081
	C-Mount / M42 x 1 Adapter	-	1075817
Ext. Tube	C-Mount	5 mm	39316
	C-Mount	8 mm	39315
	C-Mount	10 mm	39312



Pyramid Imaging

Get more information

Contact our local offices



Headquarter Germany

Jos. Schneider Optische Werke GmbH
Ringstraße 132
55543 Bad Kreuznach
☎ +49 671 601 205
✉ cs@schneiderkreuznach.com
www.schneiderkreuznach.com

Offices Worldwide

China

☎ +86 755 8832 1170
✉ shawn.liu@schneider-asiapacific.com

North America

☎ +1 800 645 7239 (East Coast)
☎ +1 800 228 1254 (West Coast)
✉ info@schneideroptics.com

Singapore

☎ +65 9488 0062
✉ thongv@schneiderkreuznach.com



Pyramid Imaging Inc.
945 East 11th Avenue
Tampa, FL 33605
<https://pyramidimaging.com>
Sales@pyramidimaging.com
(813) 984-0125