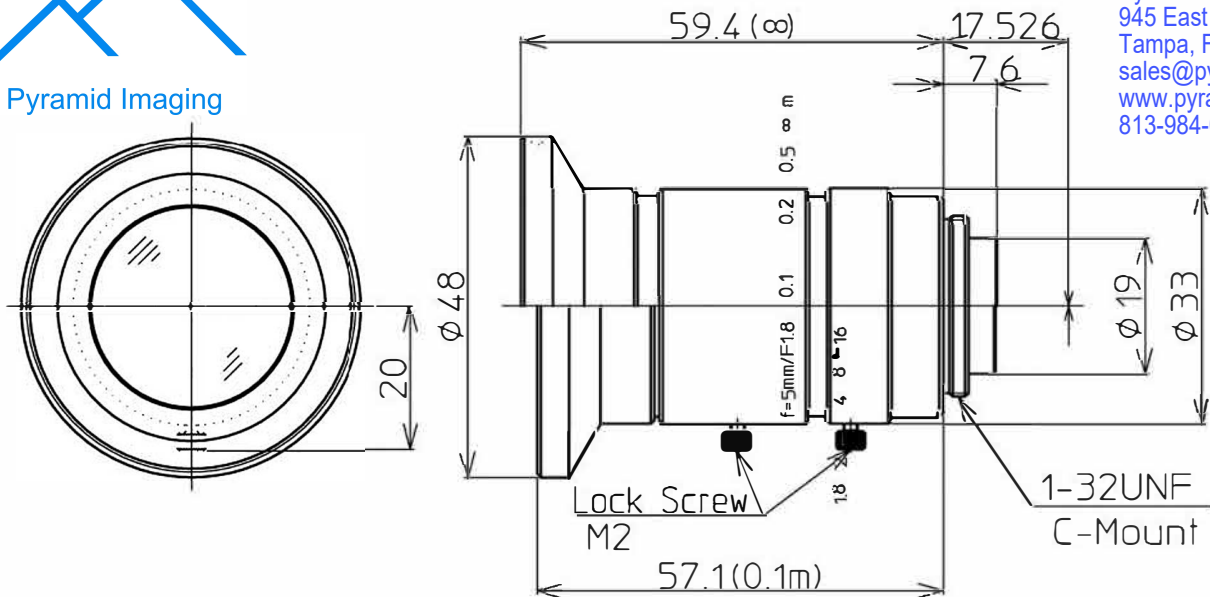




Pyramid Imaging, Inc.
 945 East 11th Avenue
 Tampa, FL 33605
 sales@pyramidimaging.com
 www.pyramidimaging.com
 813-984-0125



2/3" 1.8/5mm C		1/2"	1/3"	
FOCAL LENGTH		f=5mm		
MAX. DIAMETER (RATIO)		F=1:1.8~16		
ELEMENT		8 ELEMENTS 9 GROUPS		
PICTURE SIZE		6.6x8.8mm	4.8x6.4	3.6x4.8
ANGLE	VER. ANGLE	66.5°	51.1°	39.5
	HOR. ANGLE	82.2°	64.9°	51.1°
	DIA. ANGLE	95.4°	76.8°	61.6°
DISTORTION (TV)		-0.33%	-	-
SHOOTING RANGE AT	VER.	147.0mm	106.8mm	80.0mm
MINIMUM FOCUS	HOR.	197.0mm	142.5mm	106.8mm
DISTANCE	DIA.	249.7mm	178.6mm	133.5mm
MINIMUM FOCUS DISTANCE		0.1m		
FLANGE BACK		17.526mm in air		
BACK FOCUS		10.3mm in air		
FILTER SCREW SIZE		M4x0.75		
FRONT/REAR EFFECTIVE DIA.		FRONT ϕ 27.5mm REAR ϕ 14.3mm		
MOUNT		C-MOUNT		
EXIT PUPIL		338.7		
TEMPERATURE RANGE		-10~+50°C		
STORAGE TEMPERATURE RANGE		-20~+60°C		
RESOLUTION CENTER/CORNER		CENTER 200#/mm CORNER 160#/mm		
LENS COATING		WIDE BAND MULTI COATING		
WEIGHT		120g		



		尺度	1/1	承認	八木	製	富永
		機種名	2/3" F1.8 f=5mm				
		機種番	1-19552				
09.09.01	作成年月日						