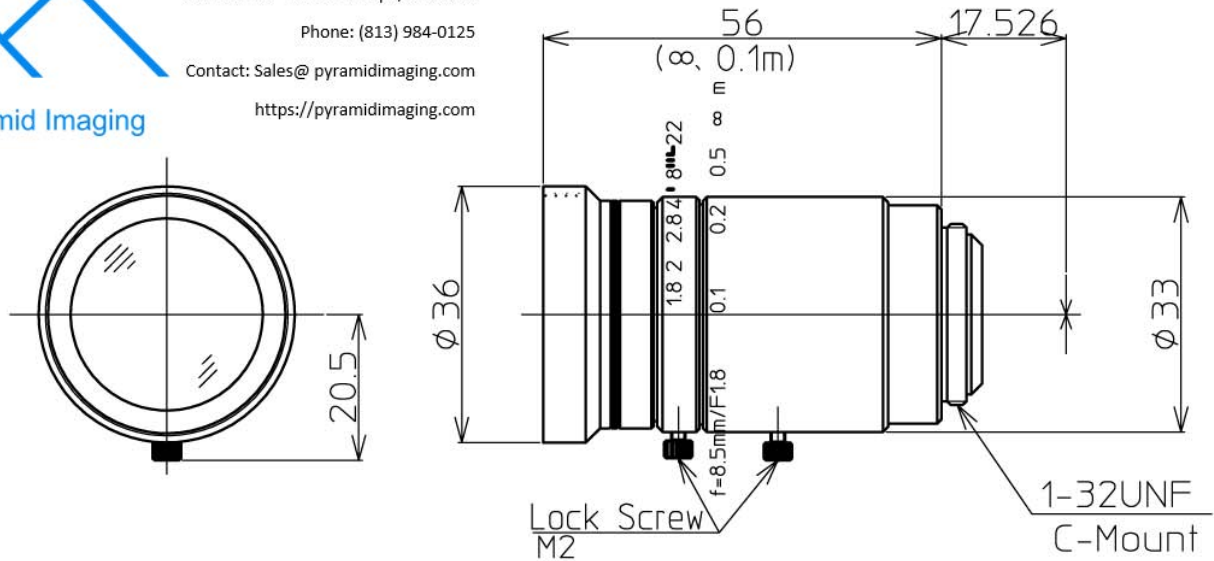




945 East 11<sup>th</sup> Avenue Tampa, FL 33605  
 Phone: (813) 984-0125  
 Contact: Sales@pyramidimaging.com  
 https://pyramidimaging.com



2/3" 1.8/8.5mm C		1/2"	1/3"
FOCAL LENGTH		f=8.5mm	
MAX. DIAMETER (RATIO)		F=1:1.8~22	
ELEMENT		9 GROUPS 11 ELEMENTS	
PICTURE SIZE		6.6x8.8mm	3.6x4.8
ANGLE	VER. ANGLE	41.9°	31.2°
	HOR. ANGLE	54.0°	40.8°
	DIA. ANGLE	64.6°	49.8°
DISTORTION (TV)		0.31%	-
SHOOTING RANGE AT	VER.	99.6mm	72.2mm
MINIMUM FOCUS	HOR.	133.2mm	96.5mm
DISTANCE	DIA.	166.5mm	121.0mm
MINIMUM FOCUS DISTANCE		0.1m	
FLANGE BACK		17.526mm in air	
BACK FOCUS		12.1mm in air	
FILTER SCREW SIZE		M34x0.5	
FRONT/REAR EFFECTIVE DIA.		FRONT ø26.7mm	REAR ø13.1mm
MOUNT		C-MOUNT	
EXIT PUPIL		-128.2	
TEMPERATURE RANGE		-10~+50° C	
STORAGE TEMPERATURE RANGE		-20~+60° C	
RESOLUTION CENTER/CORNER		CENTER 200lp/mm CORNER 160lp/mm	
LENS COATING		WIDE BAND MULTI COATING	
WEIGHT		115 g	



		尺度 1/1	承認 八木	製 富永
		機種名	2/3" F1.8 f=8.5mm	
		機種番	1-19553	
09.08.31	作成年月日			