

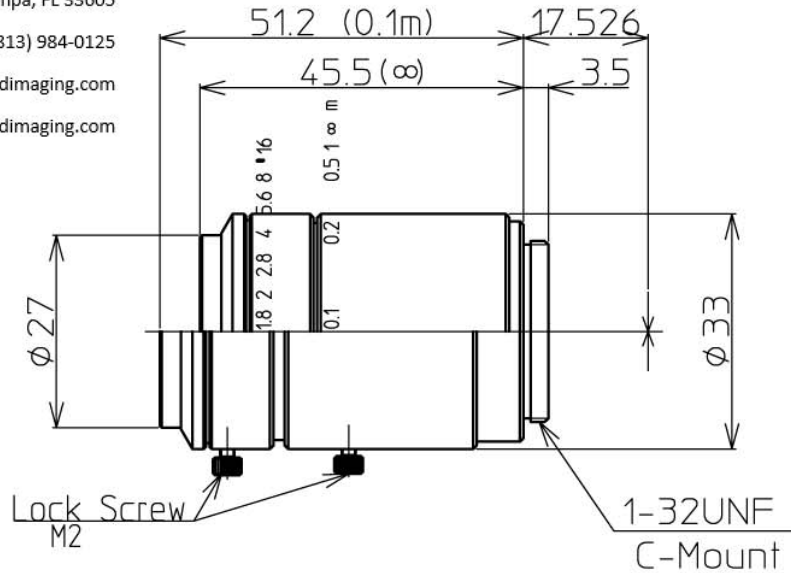
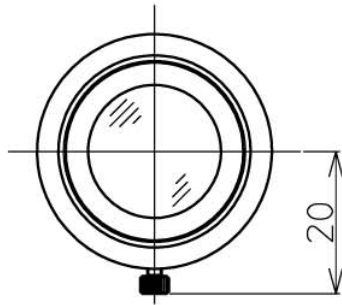


945 East 11th Avenue Tampa, FL 33605

Phone: (813) 984-0125

Contact: Sales@pyramidimaging.com

https://pyramidimaging.com



2/3" 1.8/25mm C		1/2"	1/3"
FOCAL LENGTH		f=25mm	
MAX. DIAMETER (RATIO)		F=1:1.8~16	
ELEMENT		9 ELEMENTS 10 GROUPS	
PICTURE SIZE		6.6x8.8mm	3.6x4.8
ANGLE	VER. ANGLE	15.1°	11.0°
	HOR. ANGLE	20.0°	14.6°
	DIA. ANGLE	24.9°	18.2°
DISTORTION (TV)		-0.09%	-
SHOOTING RANGE AT	VER.	27.5mm	20.0mm
MINIMUM FOCUS	HOR.	36.7mm	26.7mm
DISTANCE	DIA.	46.0mm	33.4mm
MINIMUM FOCUS DISTANCE		0.1m	
FLANGE BACK		17.526mm in air	
BACK FOCUS		17.9mm in air	
FILTER SCREW SIZE		M25.5x0.5	
FRONT/REAR EFFECTIVE DIA.		FRONT ϕ 18.4mm	REAR ϕ 18.4mm
MOUNT		C-MOUNT	
EXIT PUPIL		-84.4	
TEMPERATURE RANGE		-10~+50° C	
STORAGE TEMPERATURE RANGE		-20~+60° C	
RESOLUTION CENTER/CORNER		CENTER 200lp/mm CORNER 160lp/mm	
LENS COATING		WIDE BAND MULTI COATING	
WEIGHT		95 g	



		尺度 1/1	承認 八木	製 富永
		機種名 2/3" F1.8 f=25mm		
		機種番 1-19556		
09.09.01	作成年月日			