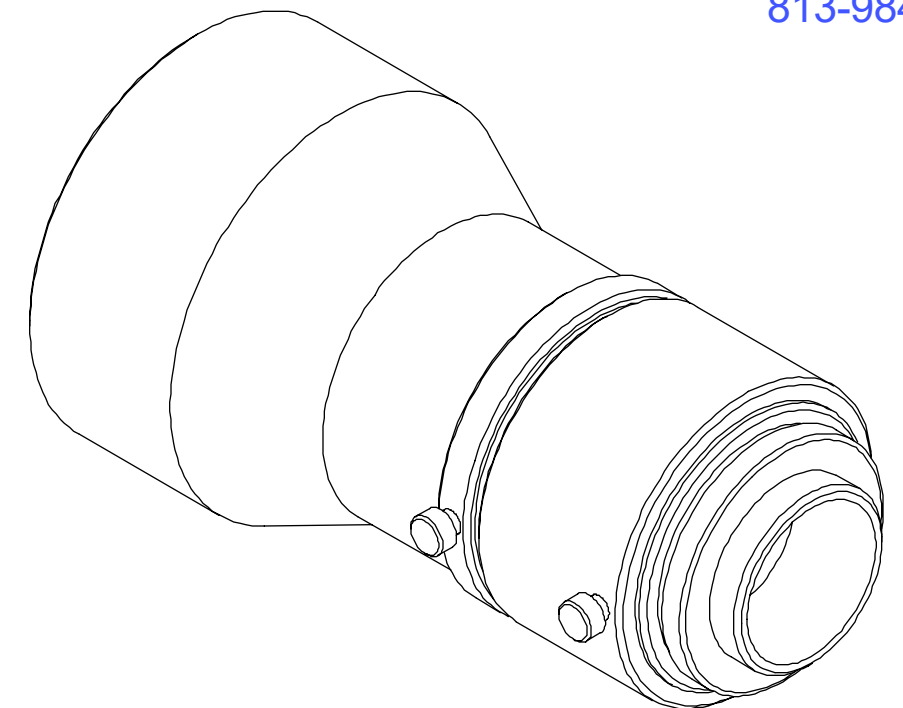


**Pyramid Imaging**

945 East 11th Avenue  
Tampa, FL 33605  
sales@pyramidimaging.com  
www.pyramidimaging.com  
813-984-0125



## OUTLINE

Lens Specifications - NMV - 100			
Specifications	Value	1/2"	1/3"
Focal Length	f = 100mm		
Maximum diameter (Ratio)	F = 1:2.8 ~ 32 ~ Close		
Element	5gp. 5 Element		
Picture Size	6.6x8.8mm	4.8x6.4mm	4.8x4.8mm
Angle - Vertical	3.8 deg.	2.8 deg.	2.1 deg.
Horizontal	5.0 deg.	3.7 deg.	2.8 deg.
Diagonal	6.3 deg.	4.6 deg.	3.4 deg.
Distortion	-0.05%	-0.04%	-0.02%
Shooting Range - Vertical	27.6mm	20.0mm	15.0mm
At Minimum - Horizontal	36.8mm	26.7mm	20.0mm
Focus Distance - Diagonal	46.0mm	33.4mm	25.0mm
Minimum Focus Distance	2.0m (0.5m w/adapter)		
Flange Back	17.526mm in air		
Back Focus	19.0mm in air		
Filter Screw Size	M40.5X0.5		
Effective Diameter - Front	35.2mm dia.		
- Rear	11.2mm dia.		
Mount	C-Mount		
Exit Pupil	-42.0mm dia.		
Temperature Range	- 10 ~ + 45 deg. C		
Strong Temperature Range	- 40 ~ + 60 deg. C		
Resolution - Center	100 Line/mm		
- Corner	40 Line/mm		

UNLESS OTHERWISE SPECIFIED DIMENSIONS ARE IN INCHES AND INCLUDE CHEMICALLY APPLIED OR PLATED FINISHES	THE CONTENTS OF THIS DOCUMENT ARE PROPRIETARY TO NAVITAR. ITS USE IS AUTHORIZED ONLY FOR RESPONDING TO REQUEST FOR QUOTATION OR PERFORMANCE OF WORK FOR NAVITAR	ROCHESTER, NEW YORK	
		LENS, 100.0mm FL, , 2/3", f/2.8	
SCALE: 1.5:1	0.0 inch 1.0	SIZE <b>B</b>	NMV - 100
WEIGHT: See Table	0.0 mm 25.0		
DR: BE	DO NOT SCALE DRAWING	SHEET 1 OF 1	REV <b>A</b>
CH:			
PROJECT #: E2338			
DATE DR: 7/13/2007			