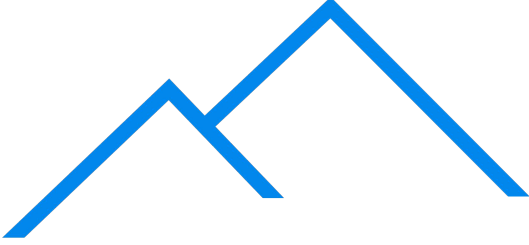
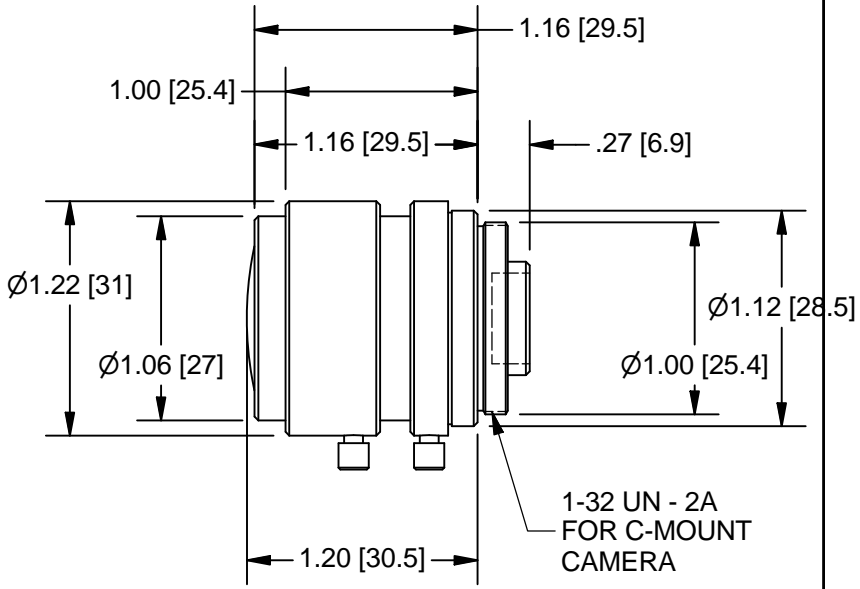
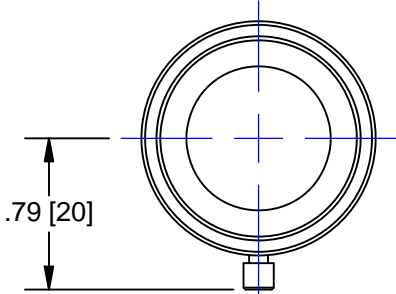
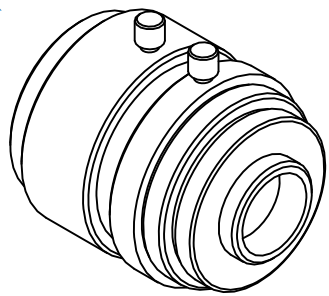


LENS SPECIFICATIONS - NMV12WA	
Specification	Value
Focal length	f=12.0 mm+/-5%
Max. Diameter (Ratio)	F=1:1.4+/-5%
Element	5 Group 6 Elements
Picture Size	4.8 x 6.4mm
Angle - Horizontal Vertical Diagonal	23.0 30.7 38.5
Distortion (TV)	-0.8%
Shooting Range @ M.O.D. - Horizontal Verical Diagonal	123 mm 167 mm 213 mm
Minimum Object Distance	0.3m
Flange Back	17.526 mm in air
Back Focus	11.12 mm in air
Filter Screw Size	M25.5 x 0.5
Effective Diameter - Front - Rear -	12.3 mm dia. 11.7 mm dia.
Mount	C - Mount
Exit Pupil	-38.9 mm
Temperature Range	-10 ~ +45 deg. C
Strong Temperature Range	-40 ~ +60 deg. C
Resolution - Center - Cornter	100 Line/mm 60 Line/mm
Stopper Strength	10 kgf * cm
Endurance Tests - Iris - Focus -	5000 Times 5000 Times
Operating Torque - Iris - Focus -	50 ~ 600 gf * cm 100 ~ 1000 gf * cm
Weight -	60g+/-5g



Pyramid Imaging

Pyramid Imaging, Inc.
945 East 11th Avenue
Tampa, FL 33605
sales@pyramidimaging.com
www.pyramidimaging.com
813-786-3785



OUTLINE

UNLESS OTHERWISE SPECIFIED DIMENSIONS ARE IN INCHES AND INCLUDE CHEMICALLY APPLIED OR PLATED FINISHES	
SCALE:	1:1
WEIGHT:	See Table
DR:	BE
CH:	
PROJECT #:	E2338
DATE DR:	7/10/2007

THE CONTENTS OF THIS DOCUMENT ARE PROPRIETARY TO NAVITAR, ITS USE IS AUTHORIZED ONLY FOR RESPONDING TO REQUEST FOR QUOTATION OR PERFORMANCE OF WORK FOR NAVITAR

0.0 inch 1.0
0.0 mm 25.0

DO NOT SCALE DRAWING

NAVITAR
ROCHESTER, NEW YORK

LENS, 12.0 mm FL, WD. ANG., 1/2", f/1.4

SIZE A	NMV -12WA SHEET 1 OF 1	REV A
------------------	----------------------------------	-----------------