



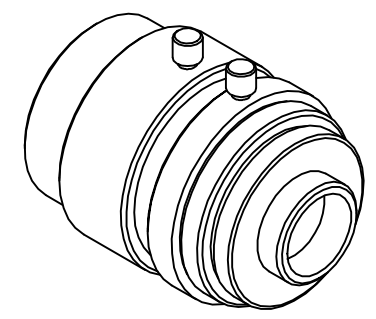
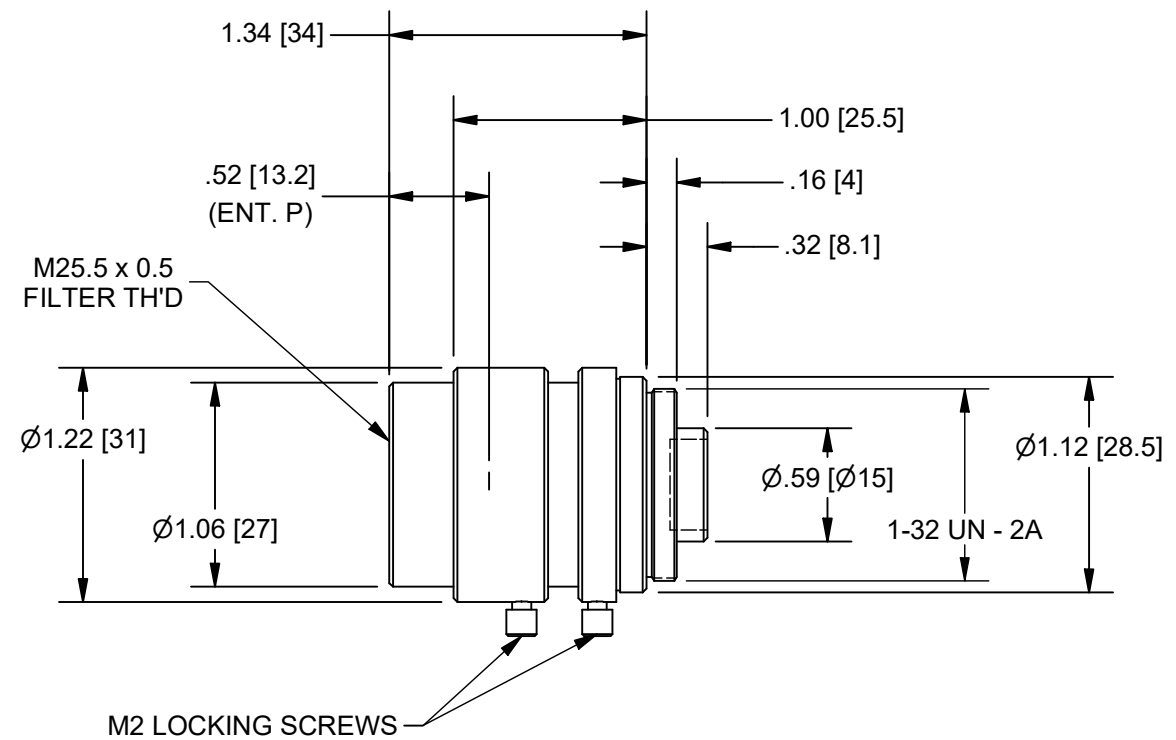
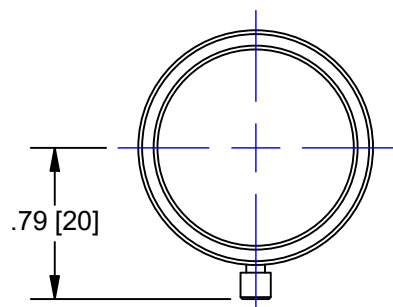
945 East 11th Avenue Tampa, FL 33605

Phone: (813) 984-0125

Contact: Sales@ pyramidimaging.com

https://pyramidimaging.com

REVISION HISTORY				
REV	DESCRIPTION	DATE	DR BY	CH BY
	UPDATED	4/3/2019	PB	KLM



LENS SPECIFICATIONS: NMV-6WA			
Specification	1/1.8"	1/2"	1/3"
Focal length	f = 6.0mm		
Max. Diameter (Ratio)	F = 1:1.4 - 16		
Picture Size	5.4 x 7.2mm	4.8 x 6.4mm	3.6 x 4.8mm
Angle - Vertical	48.4	44.0	33.7
Horizontal	62.7	57.3	44.0
Diagonal	75.2	68.5	53.4
Distortion (TV)	-1.0%		
FOV @ MOD			
Vertical	188.7 mm	166.9mm	123.9mm
Horizontal	255.8 mm	225.8mm	166.9mm
Diagonal	323.3 mm	286.0mm	210.9mm
Minimum Object Distance	0.2m		
Flange Back	17.526 mm in air		
Back Focus	9.5mm in air		
Filter Screw Size	M25.5 x 0.5		
Effective Diameter - Front -	Ø16.2 mm		
Rear -	Ø8.7 mm		
Mount	C - Mount		
Exit Pupil	-47.4 mm		
Temperature Range	-10 ~ +50 deg. C		
Storage Temp Range	-20 ~ +60 deg. C		
Resolution - Center -	100 lp/mm		
Corner	40 lp/mm		
Weight -	60g		

OUTLINE

UNLESS OTHERWISE SPECIFIED DIMENSIONS ARE IN INCHES AND INCLUDE CHEMICALLY APPLIED OR PLATED FINISHES	THE CONTENTS OF THIS DOCUMENT ARE PROPRIETARY TO NAVITAR, ITS USE IS AUTHORIZED ONLY FOR RESPONDING TO REQUEST FOR QUOTATION OR PERFORMANCE OF WORK FOR NAVITAR			
				LENS, 1/1.8". 6mm, f/1.4
SCALE: 1:1		SIZE B	NMV-6WA SHEET 1 OF 1	REV
WEIGHT: See Table				
DR: PB	DATE DR: 7/10/2007			