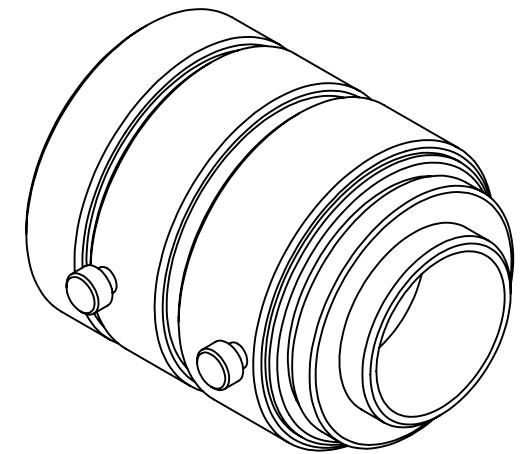
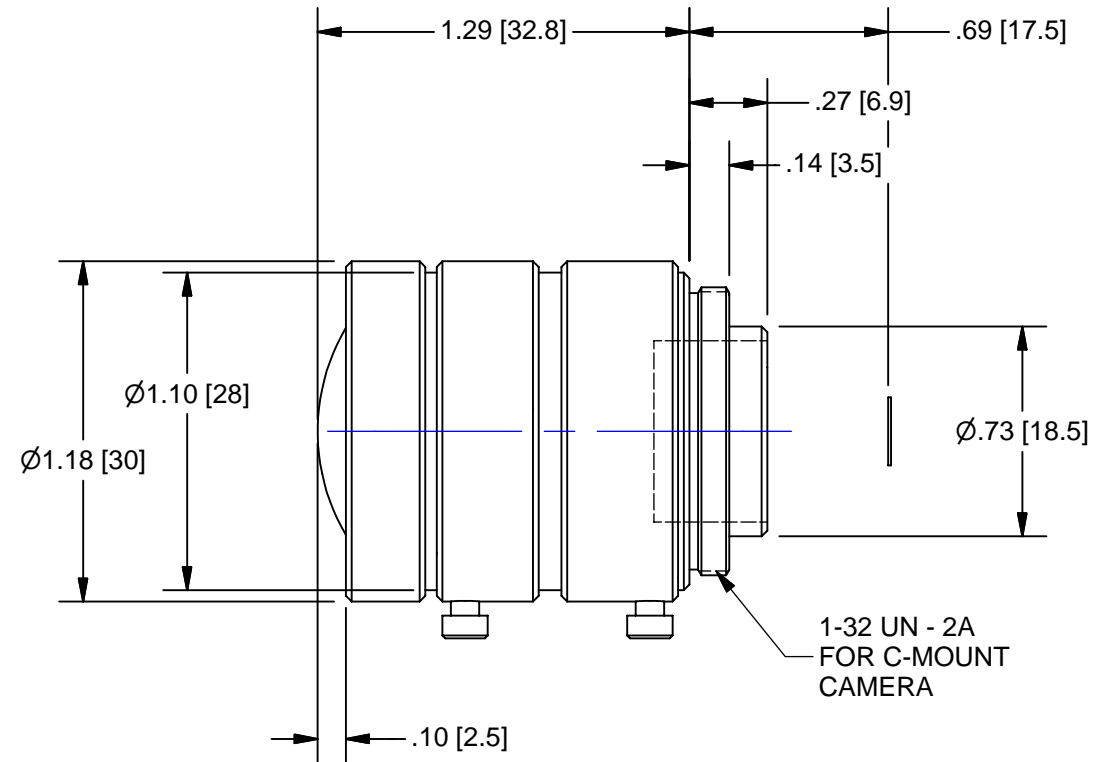
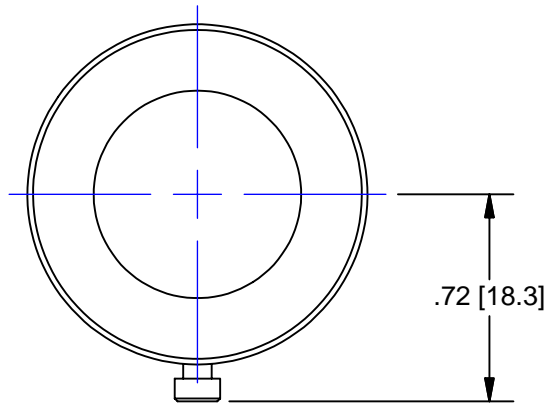


Pyramid Imaging

945 East 11th Avenue
 Tampa, FL 33605
 sales@pyramidimaging.com
 www.pyramidimaging.com
 813-786-3785



OUTLINE

Lens Specifications - NMV - 6			
Specifications	Value	1/2"	1/3"
Focal Length	f = 6mm		
Maximum diameter (Ratio)	F = 1.4:1 ~ 16 ~ Close		
Element	7gp. 8 Element		
Picture Size	6.6 x 8.8mm	4.8 x 6.4mm	3.6 x 4.8 mm
Angle - Vertical	61.2 deg.	44.5 deg.	33.3 deg.
Horizontal	81.9 deg.	59.4 deg.	44.5 deg.
Diagonal	102.9 deg.	74.3 deg.	55.6 deg.
Distortion	-10.7%	-5.0%	-2.7%
Shooting Range - Vertical	251mm	173.3mm	136.9mm
At Minimum - Horizontal	367mm	241.4mm	173.3mm
Focus Distance - Diagonal	530mm	320.8mm	223.6mm
Minimum Focus Distance	0.1m		
Flange Back	17.526mm in air		
Back Focus	11.3mm in air		
Filter Screw Size	-		
Effective Diameter - Front	21.5mm dia.		
- Rear	11.0mm dia.		
Mount	C-Mount		
Exit Pupil	-30.2mm dia.		
Temperature Range	- 10 ~ + 45 deg. C		
Strong Temperature Range	- 40 ~ + 60 deg. C		
Resolution - Center	100 Line/mm		
- Corner	40 Line/mm		

UNLESS OTHERWISE SPECIFIED DIMENSIONS ARE IN INCHES AND INCLUDE CHEMICALLY APPLIED OR PLATED FINISHES	
SCALE:	1.5:1
WEIGHT:	See Table
DR:	BE
CH:	
PROJECT #:	
DATE DR:	7/13/2007

THE CONTENTS OF THIS DOCUMENT ARE PROPRIETARY TO NAVITAR, ITS USE IS AUTHORIZED ONLY FOR RESPONDING TO REQUEST FOR QUOTATION OR PERFORMANCE OF WORK FOR NAVITAR

0.0 inch 1.0
 0.0 mm 25.0

DO NOT SCALE DRAWING

 ROCHESTER, NEW YORK	
LENS, 6.0mm FL, , 2/3", f/1.4	
SIZE	B
	NMV - 6
	SHEET 1 OF 1
REV	A