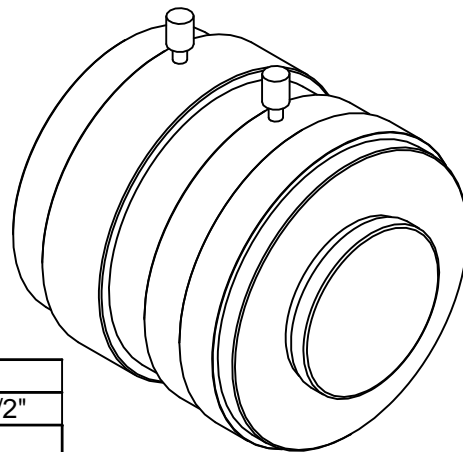



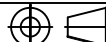
Pyramid Imaging



Pyramid Imaging, Inc.  
 945 East 11th Avenue  
 Tampa, FL 33605  
[sales@pyramidimaging.com](mailto:sales@pyramidimaging.com)  
[www.pyramidimaging.com](http://www.pyramidimaging.com)  
 813-786-3785

# OUTLINE

Lens Specifications - NMV - 5018	
Specification	Value - 1/2"
Focal Length	50mm
Maximum Relative Aperture	1:1.8
Iris	F1.8-Close
Angular Field of View	14.5 X 10.9 deg
Image Format	12.8 X 9.6 mm
Minimum Object Distance	0.7m
Optical Back Focal Distance	19.71mm in air
Flange Back	17.526mm
Temperature Range	-10 ~ +50 deg C
Mount	C-Mount
Front Thread	M40.5x0.5
Weight	145 g

UNLESS OTHERWISE SPECIFIED DIMENSIONS ARE IN INCHES AND INCLUDE CHEMICALLY APPLIED OR PLATED FINISHES		PROPRIETARY AND CONFIDENTIAL	
		THE INFORMATION CONTAINED IN THIS DRAWING IS THE SOLE PROPERTY OF NAVITAR. ANY REPRODUCTION IN PART OR AS A WHOLE WITHOUT THE WRITTEN PERMISSION OF NAVITAR IS PROHIBITED.	
SCALE:	1:1	 ROCHESTER, NEW YORK	
WEIGHT:	N/A		
DR BY:	CJH	LENS, 50MM, F/1.8-C, 1", LS	
CH BY:	BJC		
PROJECT #:	E2993		
DATE DR:	9/20/2012	SIZE <b>A</b> <b>NMV-5018</b> SHEET 1 OF 1	
DO NOT SCALE DRAWING			
		<b>A</b>	<b>A</b>