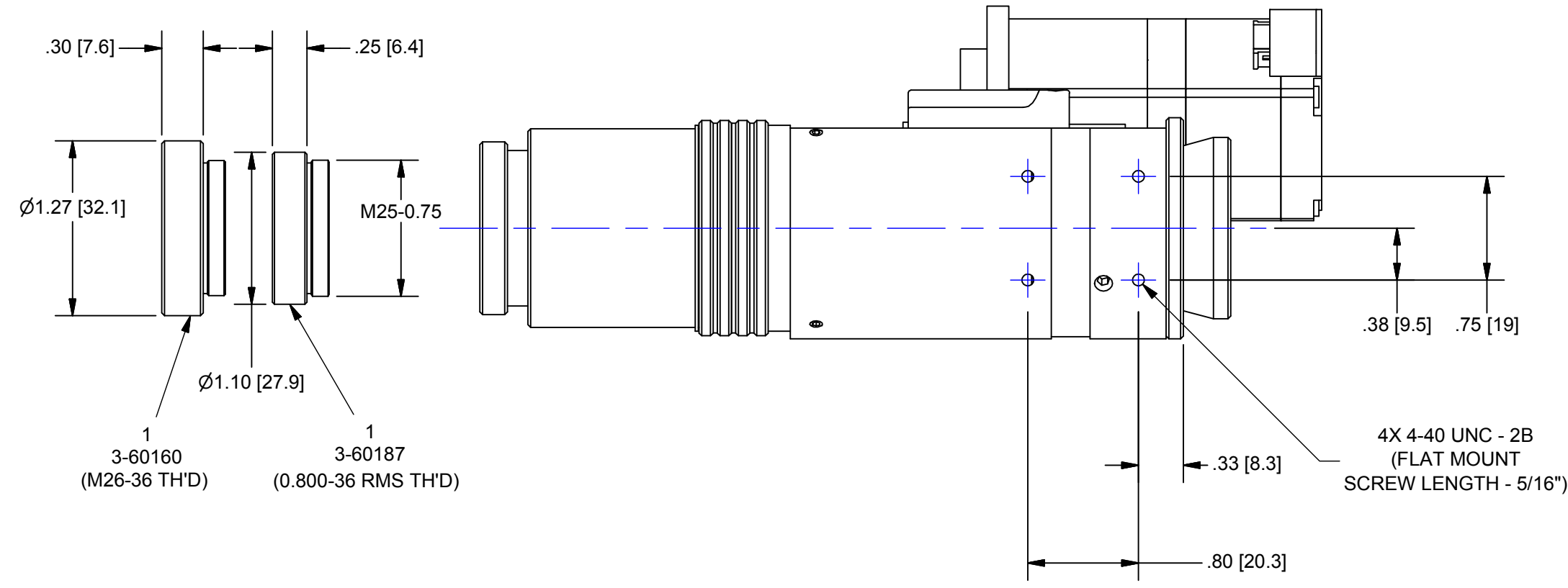
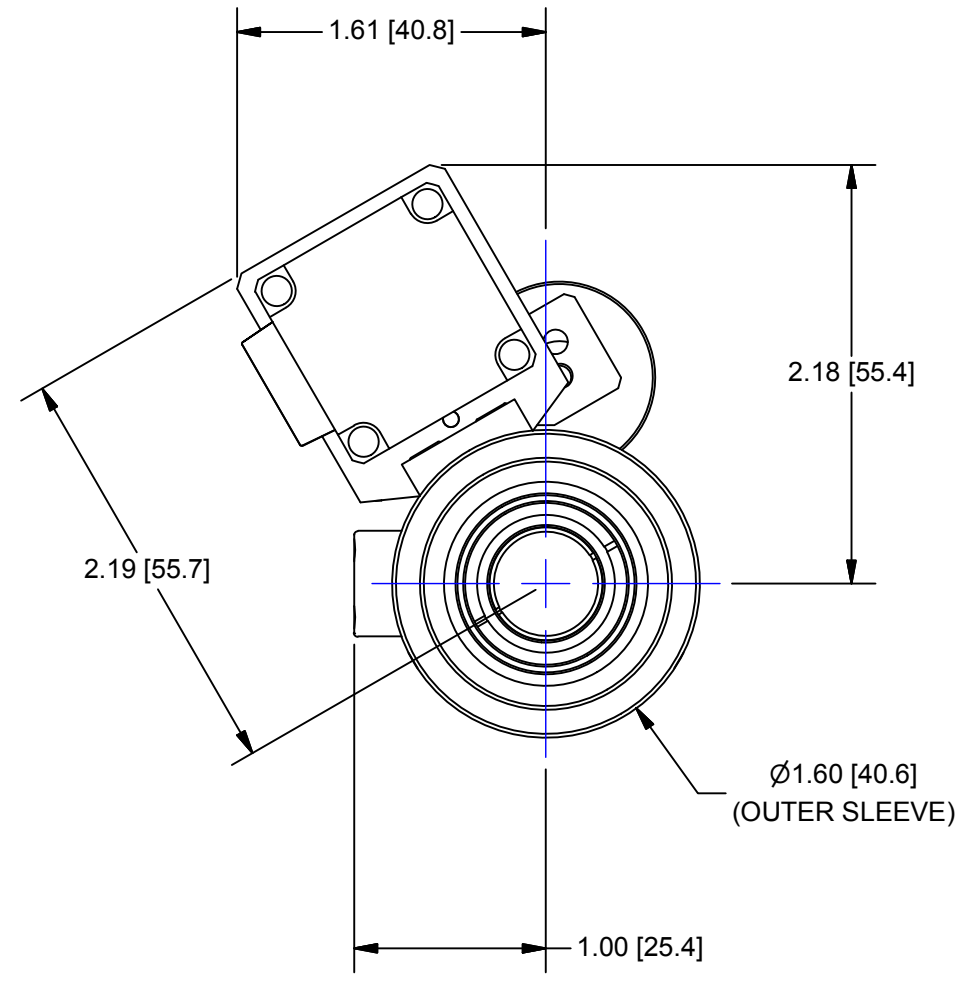
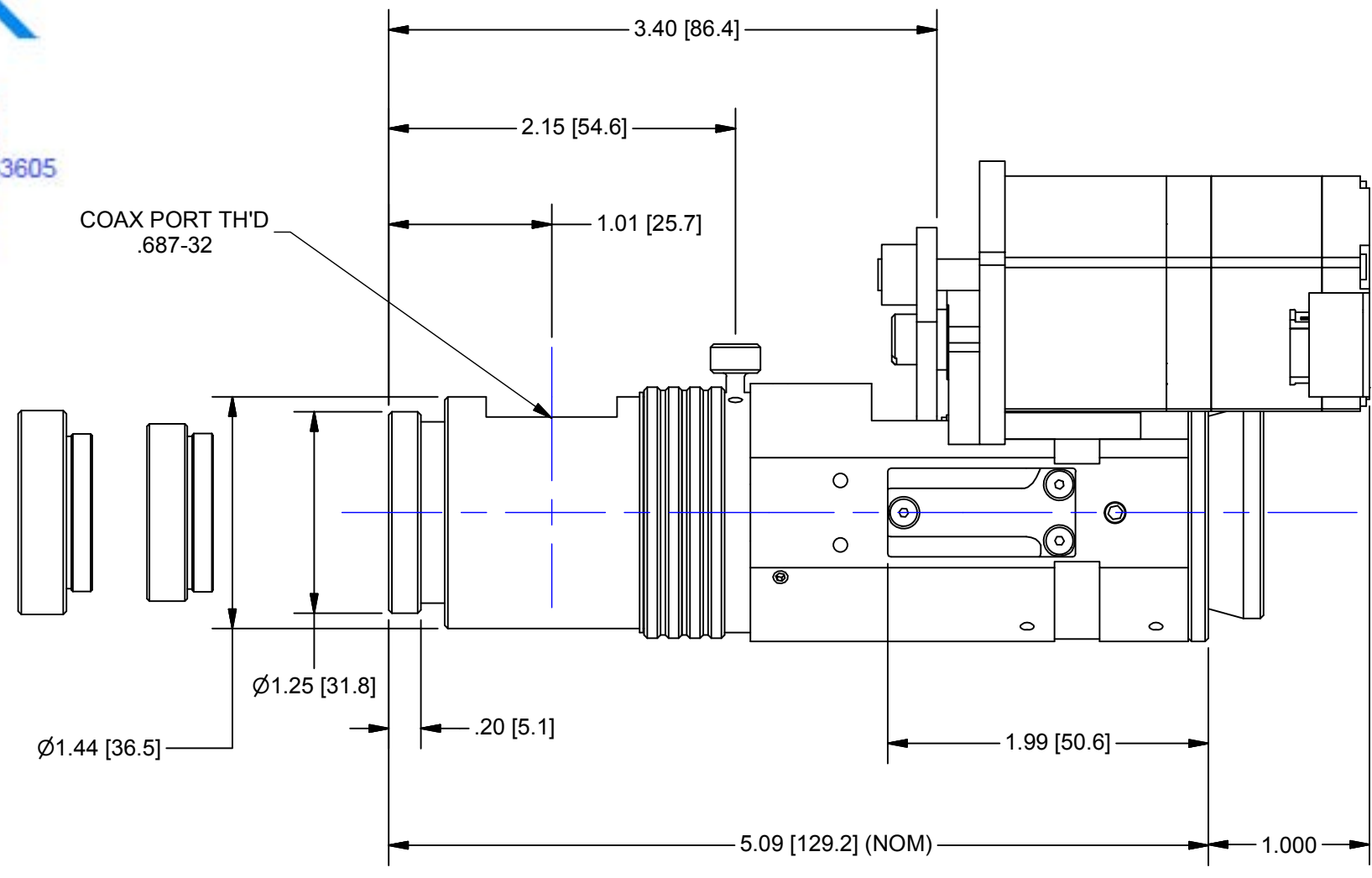




Pyramid Imaging

945 East 11th Avenue Tampa, FL 33605
 sales@pyramidimaging.com
 www.pyramidimaging.com
 813-786-3785

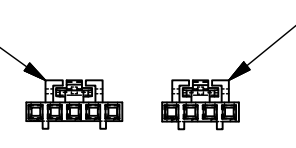


5φ MOTOR AND HALL EFFECT CABLE INFORMATION:

- ZOOM / FOCUS / HE CABLE LENGTH = 0.15m
- USE NAVITAR #1-40170 TO CONNECT TO 5φ NAVITAR CONTROLLERS (1-40167, 1-40168, 1-40169)

ZOOM / FINE FOCUS MOTOR
 5 POSITION FEMALE CONNECTOR
 (MOLEX #50-57-9405)

HALL EFFECT SENSOR
 4 POSITION FEMALE CONNECTOR
 (MOLEX #50-57-9404)



5φ ZOOM / FINE FOCUS MOTOR PINOUT

- PIN 1 = MOTOR 1 (BLUE)
- PIN 2 = MOTOR 2 (RED)
- PIN 3 = MOTOR 3 (ORANGE)
- PIN 4 = MOTOR 4 (GREEN)
- PIN 5 = MOTOR 5 (BLACK)

4 PIN HE SENSOR PINOUT

- PIN 1 = COMMON
- PIN 2 = FAR LIMIT
- PIN 3 = +5VDC
- PIN 4 = NEAR LIMIT

OUTLINE

UNLESS OTHERWISE SPECIFIED DIMENSIONS ARE IN INCHES AND INCLUDE CHEMICALLY APPLIED OR PLATED FINISHES		PROPRIETARY AND CONFIDENTIAL THE INFORMATION CONTAINED IN THIS DRAWING IS THE SOLE PROPERTY OF NAVITAR. ANY REPRODUCTION IN PART OR AS A WHOLE WITHOUT THE WRITTEN PERMISSION OF NAVITAR IS PROHIBITED.			
SCALE:	1:1	 ROCHESTER, NEW YORK MTR 6X UZ, 5φ 20:1, HE, w/3mm FF & CP			
WEIGHT:	0.98 lbmass				
DR BY:	PB				
CH BY:	R. PODLENA				
PROJECT #:	E3192				
DATE DR:	3/20/2014	SIZE	1-64445	REV	A
DO NOT SCALE DRAWING		C	SHEET 2 OF 2		