

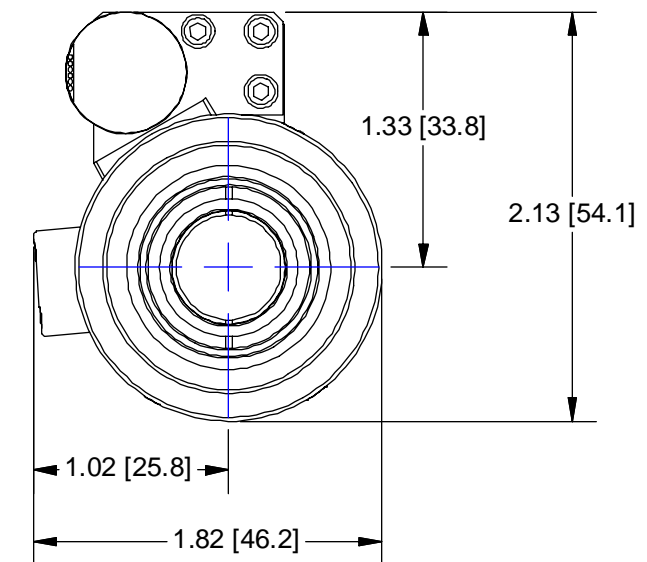
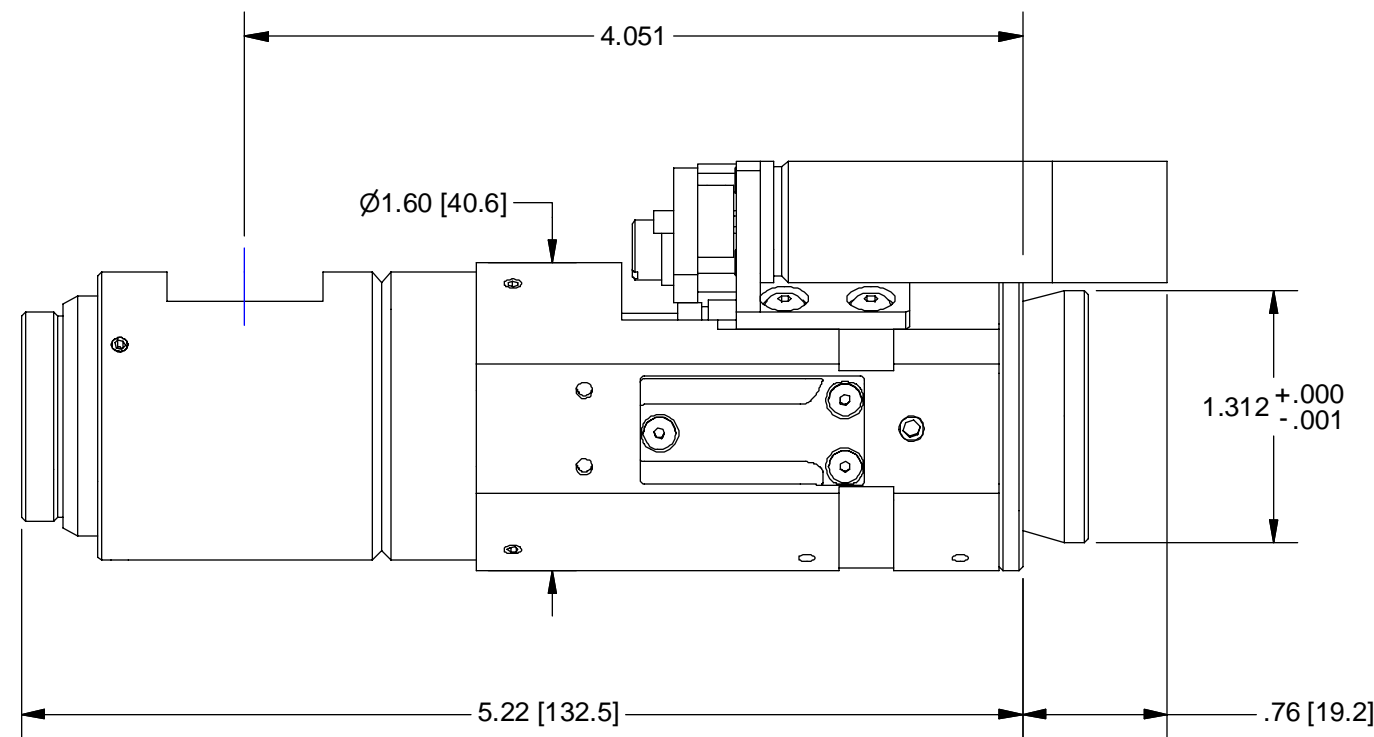
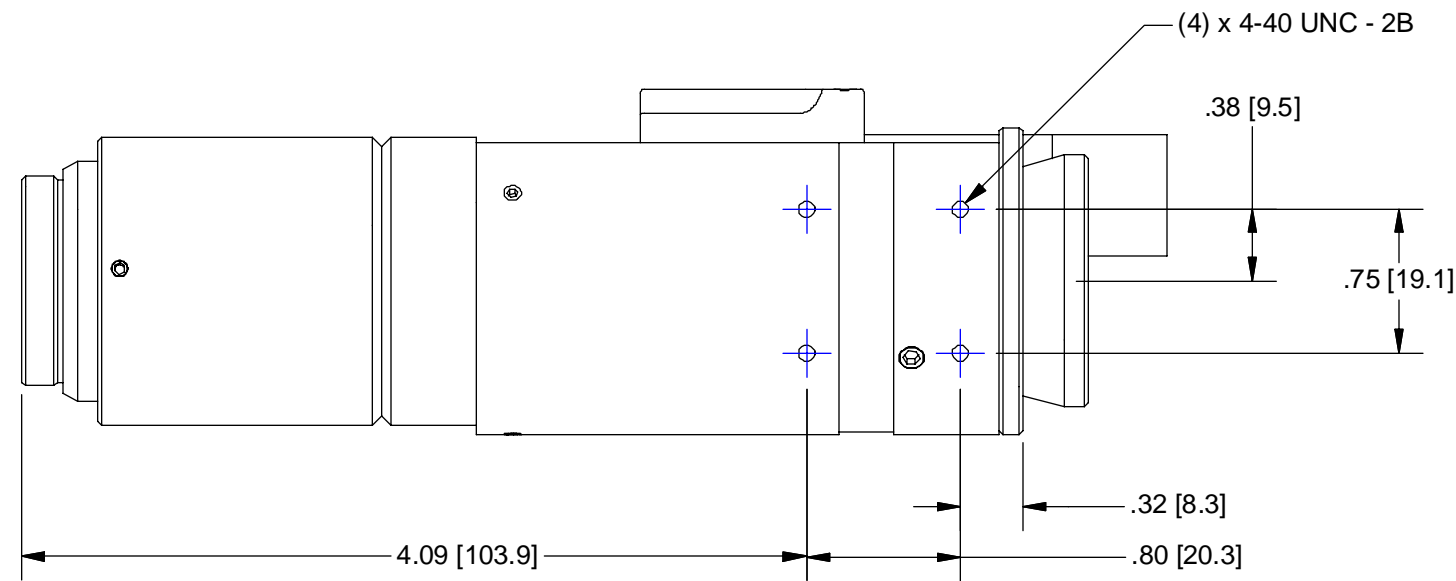
Pyramid Imaging

945 East 11th Avenue Tampa, FL 33605

sales@pyramidimaging.com

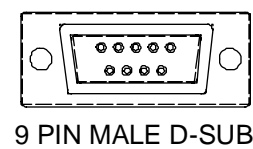
www.pyramidimaging.com

813-786-3785



DC ENCODED PINOUT

- PIN 1 = MOTOR CH A
- PIN 2 = FAR LIMIT
- PIN 3 = N/C
- PIN 4 = +5Vdc
- PIN 5 = MOTOR +
- PIN 6 = MOTOR CH B
- PIN 7 = NEAR LIMIT
- PIN 8 = COMMON
- PIN 9 = MOTOR -



OUTLINE

| | | | | | |
|---|-------------|---|--|----------------------------------|--------------|
| UNLESS OTHERWISE SPECIFIED DIMENSIONS ARE IN INCHES AND INCLUDE CHEMICALLY APPLIED OR PLATED FINISHES | | THE CONTENTS OF THIS DOCUMENT ARE PROPRIETARY TO NAVITAR. ITS USE IS AUTHORIZED ONLY FOR RESPONDING TO REQUEST FOR QUOTATION OR PERFORMANCE OF WORK FOR NAVITAR | | ROCHESTER, NEW YORK | |
| SCALE: | 1:1 | 0.0 inch 1.0 0.0 mm 25.0 | | MTR (ENC) 6x w/LS (HE) & ROT. CP | |
| WEIGHT: | | | | SIZE | 1-62609 |
| DR: | R. PODLENA | DO NOT SCALE DRAWING | | B | SHEET 2 OF 2 |
| CH: | P. BONAFEDE | | | | |
| PROJECT #: | | | | | |
| DATE DR: | 8/18/2003 | | | | |